

Figure 1

1. INTRODUCTION

Extraction Tools 1-305183-1 and 1-305183-2 are designed to remove contacts from MATE-N-LOK connectors. Tool 1-305183-1 is used for the pin contacts, and tool 1-305183-2 for the socket contacts. Read these instructions thoroughly before starting.



NOTE

Dimensions in this instruction sheet are in millimeters [with inches in brackets]. Figures and illustrations are for reference only and are not drawn to scale.

Refer to Section 5, REVISION SUMMARY for reason for reissue.

2. DESCRIPTION

Both tools feature a handle and sleeve assembly to release the contact locking lance, and a push rod button to eject the contact.

3. EXTRACTION PROCEDURE

Select the appropriate extraction tool, according to the type of contact (pin or socket) to be removed (see Figure 1).

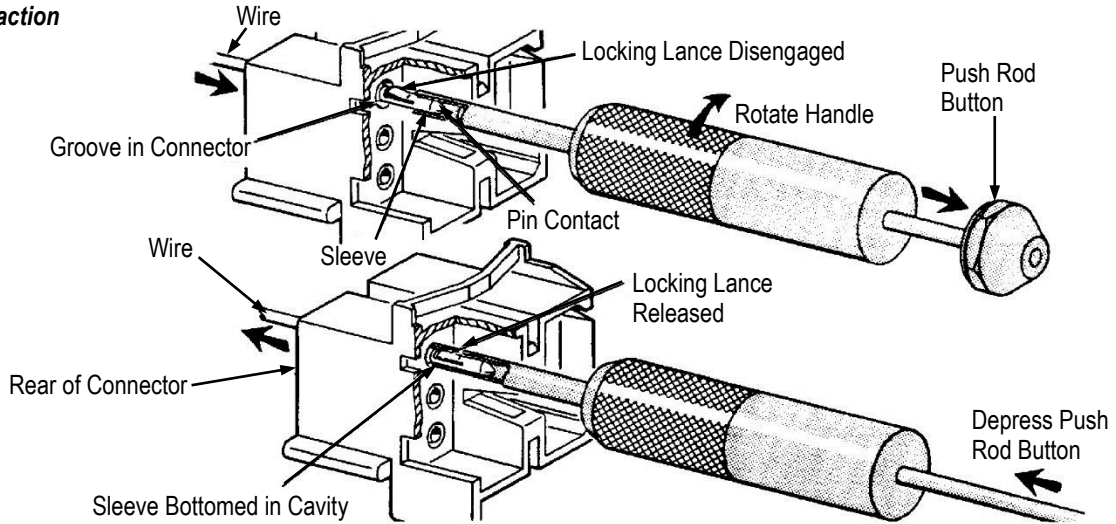
Pin and Socket Extraction (Figure 2)

1. Push in and hold firmly on wire of contact to be removed. This will disengage locking lance from groove in connector.
2. Grasp the tool handle, and place sleeve over end of contact. Rotating tool slightly, push sleeve straight into cavity until it bottoms. Allow push rod button to “back out” of handle. The locking lance is now released.
3. Keep sleeve firmly bottomed in cavity, and depress push rod button. Contact will partially eject as push rod button is depressed.
4. Pull contact from REAR of connector, and remove tool from cavity.

4. TOOL CERTIFICATION

The extraction tools listed on this document should be certified with the information provided in Figure 3. TE Connectivity recommends that each tool be inspected immediately upon arrival in your factory, and at regularly scheduled intervals, to ensure that the tool has not been damaged during handling. Additional tools can be purchased from TE.

Pin Extraction



Socket Extraction

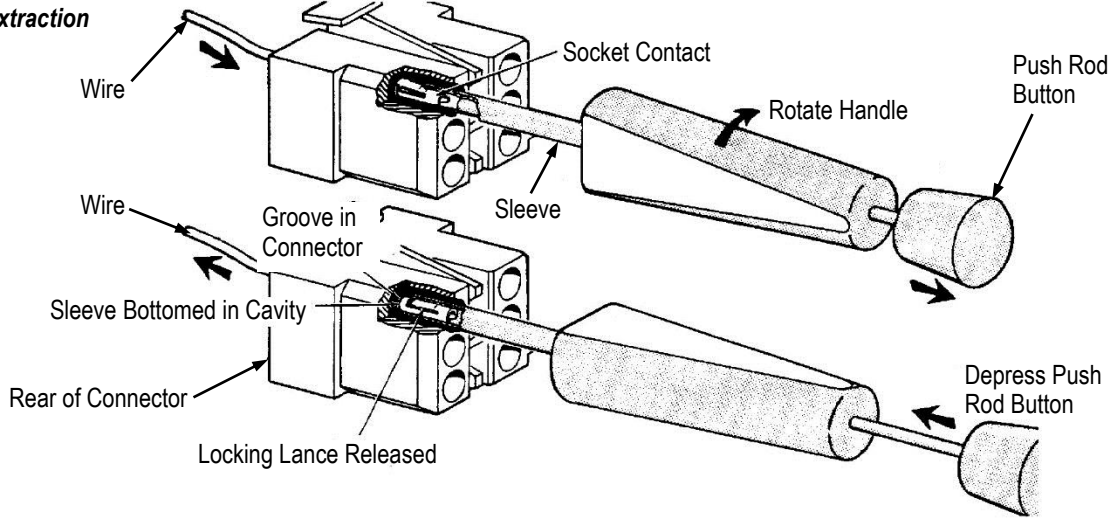
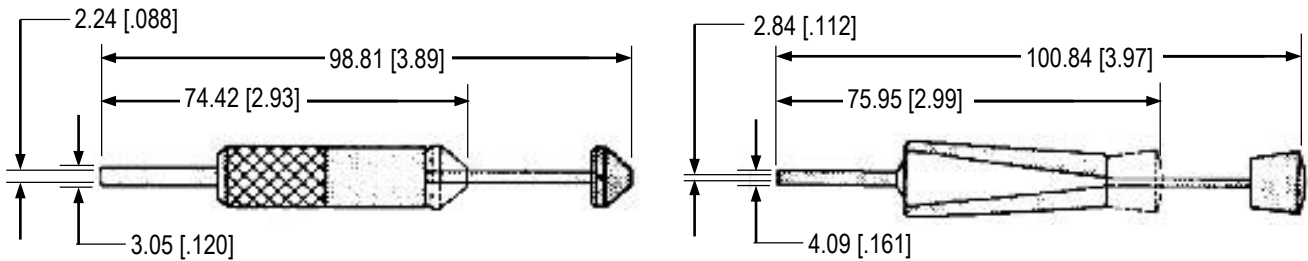


Figure 2



EXTRACTION TOOL	PRODUCT DESIGNED FOR
1-305183-1	MATE-N-LOK Pin Contacts
1-305183-2	MATE-N-LOK Socket Contacts

Figure 3

5. REVISION SUMMARY

- Updated document to corporate requirements, and added new logo
- Deleted Section 3.B and merged Figures 2 and 3 together and renumbered