

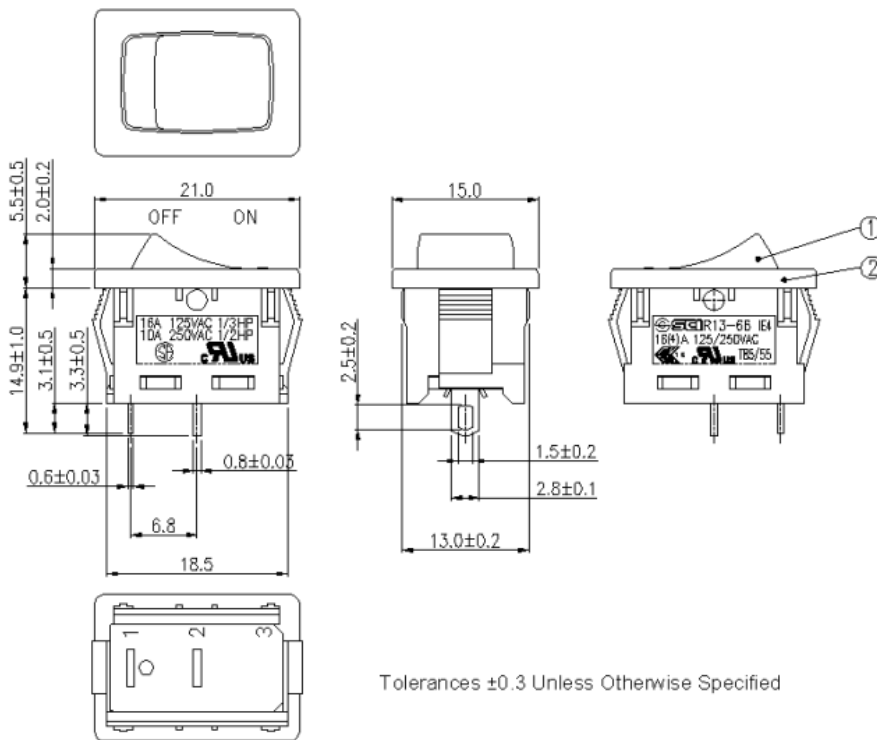
Professionally approved products.

## Datasheet

# Black/Red SPST Rocker Switch, On-Off, 10 A@ 125 V ac +85°C -20°C 19.2mm 13mm

RS Stock number [419-794](#)

Dimensions: (mm)



## Specifications

Rating: 16A 125VAC 1/3HP

10A 250VAC 1/2HP

Contact Resistance: 50m ohm max

Insulation Resistance: DC 500V 100M ohm min.

Dielectric Strength: AC 1500V 1 min

Circuit: 2P SPST on-off

Operation Temperature: -25degC ~ 85degC

## Materials

Frame: Black , Nylon-66 (94V-2)

Actuator: Red, Nylon-66 (94V-2)

Printed: White, hot stamping