

## Datasheet

### Quick Acting F LBC Fuse, 5A, 5x20mm

RS Stock number [668-5975](#)

GFE/GME

GFP/GMP-A



### Specifications:

#### Materials

Glass body/nickel plated brass caps

Lead wire: Diameter  $\varnothing$ 0.8mm 14A and less

Diameter  $\varnothing$ 1.0mm for rating above 15A to 19A

Diameter  $\varnothing$ 1.2mm for rating above 20A

#### Interrupting Ratings

10mA~10A: 10,000 amperes at 125V ac

10mA~1A: 35 amperes at 250V ac

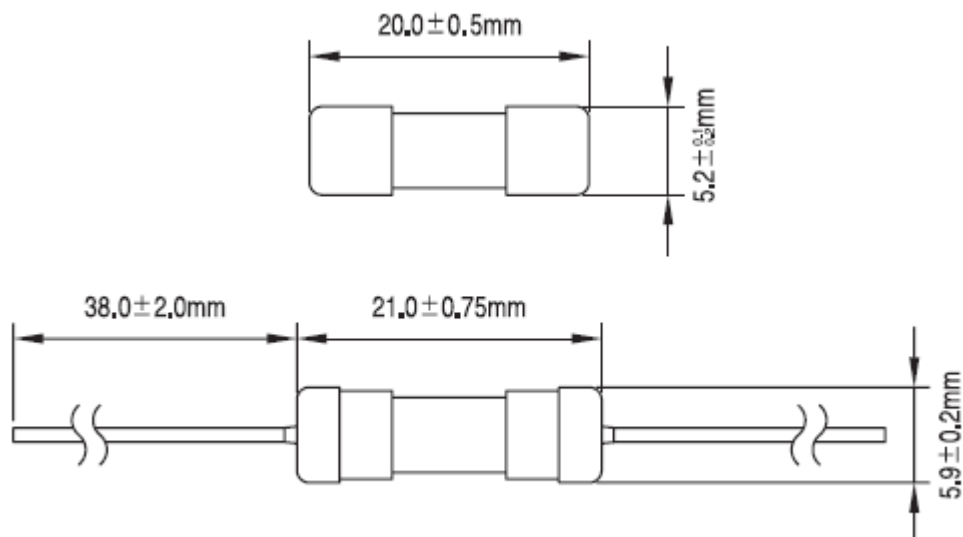
1.5A~3.5A: 100 amperes at 250V ac

3.75A~10A: 200 amperes at 250V ac

#### Operating Temperature

-55°C to + 125°C

Drawing (mm):



Electrical Characteristic:

Rated Current	1 In	1.35In	2 In
	MIN	MAX	MAX
10mA~20A	4 hr	1 hr	5 sec