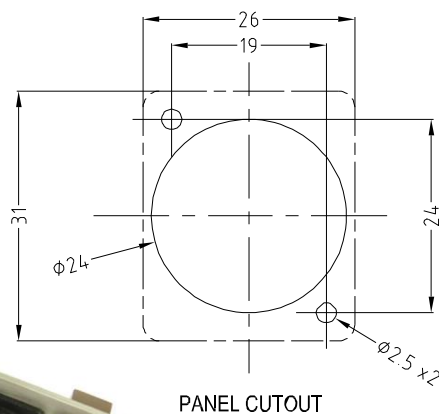


# Datasheet

## BLACK METAL FEEDTHROUGH CONNECTORS FT Series

The Black Metal FT Series of true feed through connectors are perfect for developing custom I/O configurations for wall-plates, rack panels, etc. ALL fit within a standard XLR panel cutout, and use common cabling for front and back connections. No soldering, no punch terminations, just use the standard cable for that particular connector style. Mount from the front or back, low rear profile accommodates the tightest “behind the panel” spaces. Available in a wide variety of styles. The frame has a matt black finish.



**Part No.**  
**CP30205NMB**  
**RS Stock No.**  
**916-0215**

**Description**  
USB 3.0 A to USB 3.0 A, CSK hole.



**Part No.**  
**CP30206NMB**  
**RS Stock No.**  
**916-0224**

**Description**  
USB 3.0 B to USB 3.0 A, CSK hole.



**Part No.**  
**CP30207NMB**  
**RS Stock No.**  
**916-0227**

**Description**  
USB 2.0 B to USB 2.0 A, CSK hole.



**Part No.**  
**CP30208NMB**  
**RS Stock No.**  
**916-0221**

**Description**  
USB 2.0 A to USB 2.0 A, CSK hole.



**Part No.**  
**CP30209NMB**  
**RS Stock No.**  
**916-0230**

**Description**  
USB 2.0 A to USB 2.0 B, CSK hole.



**Part No.**  
**CP30213MB**  
**RS Stock No.**  
**916-0233**

**Description**  
LC Duplex SM adaptor, CSK Hole



**Part No.**  
**CP30214MB**

**Description**  
LC Duplex MM, CSK Hole



**Part No.**  
**CP30215MB**  
**RS Stock No.**  
**916-0246**

**Description**  
SC Simplex SM, CSK Hole



**Part No.**  
**CP30216MB**

**Description**  
SC Simplex MM, CSK Hole



**Part No.**  
**CP30217MB**  
**RS Stock No.**  
**916-0249**

**Description**  
Toslink, CSK Hole



**Part No.**  
**CP30220MB**  
**RS Stock No.**  
**916-0243**

**Description**  
UTP Cat5e RJ45-RJ45, CSK Hole



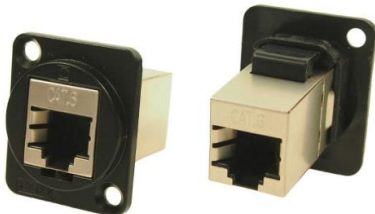
**Part No.**  
**CP30220SMB**  
**RS stock No.**  
**916-0252**

**Description**  
FTP Cat5e RJ45-RJ45, Shielded,  
CSK Hole



**Part No.**  
**CP30222MB**  
**RS Stock No.**  
**916-0255**

**Description**  
UTP Cat6 RJ45-RJ45, CSK Hole



**Part No.**  
**CP30222SMB**  
**RS Stock No.**  
**916-0259**

**Description**  
FTP Cat6 RJ45-RJ45, Shielded, CSK Hole



**Part No.**  
**CP30230MB**

**Description**  
RCA Phono RED, CSK Hole



**Part No.**  
**CP30231MB**

**Description**  
RCA Phono WHITE, CSK Hole



**Part No.**  
**CP30232MB**

**Description**  
RCA Phono YELLOW, CSK Hole

Other colours available on request.



**Part No.**  
**CP30241MB**

**Description**  
Blanking Plate, CSK Hole