

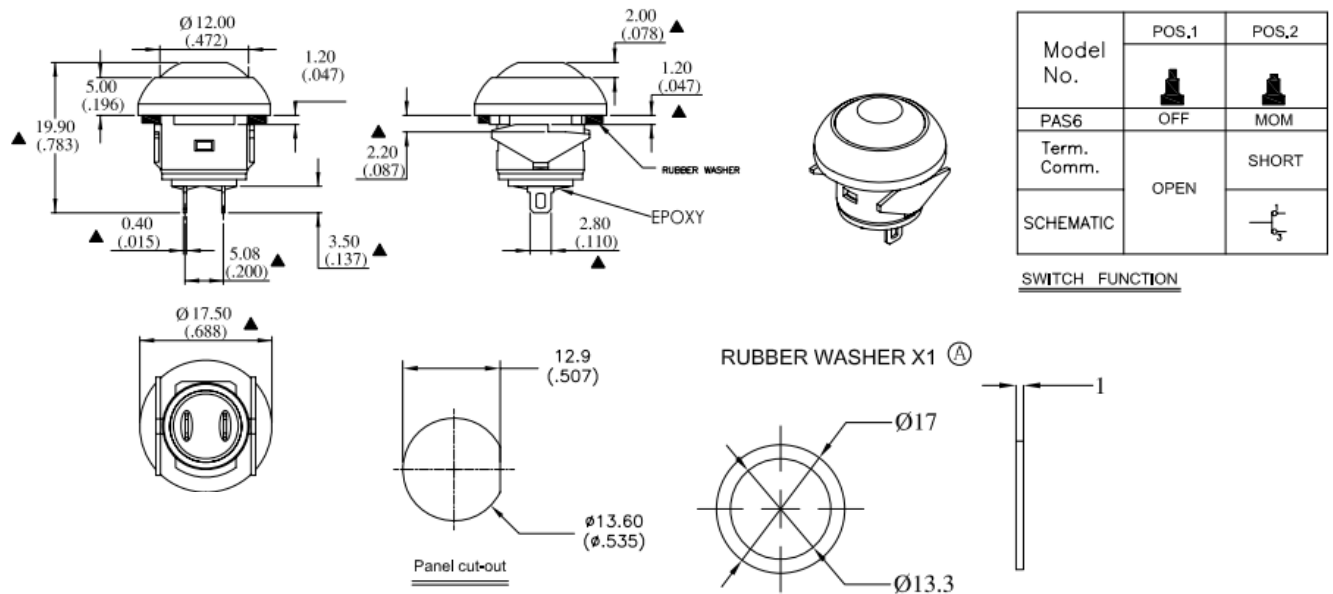
Professionally approved products.

Datasheet

Green IP67 SPST Panel Mount Off-(On) Push Button Switch

RS Stock number [734-6700](#)

Dimensions: (mm)



Specifications

- Case: Dially Phthalate
 - Cap: Polyamide 6/6
 - Bushing: Polyamide 6/6
 - Terminal/Contacts: Gold over silver plated
 - RoHS compliant
 - Max Current/Voltage rating with resistive load: 400mA 32VAC – 100 mA 50VDC-125 mA 125VAC
 - Initial Contact Resistance: 50m Ωmax
 - Insulation Resistance: 1GΩmin at 500VAC
 - Dielectric Strength: 1000 VAC rms
 - Electrical Life at Full Load: 500,000 cycles
 - Panel Thickness:
- B1 Series: 0.8mm (.031) min. -1.8mm (.071) max /B2 Series:1.5mm (.059) min. -4mm (.157) max
- Total Travel: 1.5mm (.59)
 - Operating Force: 2N~5N
 - Contact Bounce: 10ms
 - Mechanical Life: 1,000,000 cycles
 - Torque: 1.5 Nm max. applied to nut
 - Soldering: 350°C max. for 5 seconds