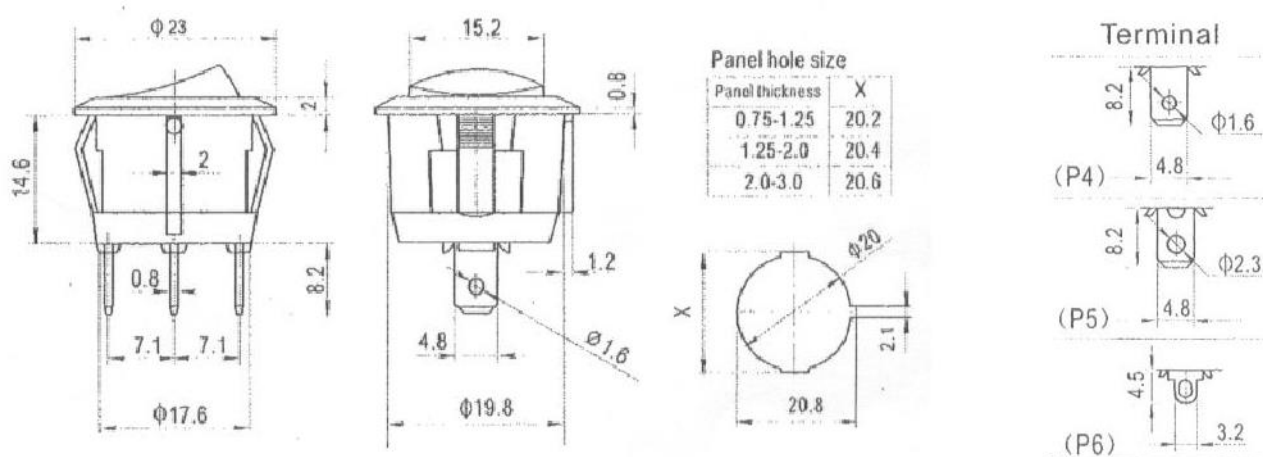


Professionally approved products.

## Datasheet

# Illuminated Green SPST Rocker Switch

RS Stock number [273-312](#)



SPECIFICATIONS	ABRR013 Round Rocker
Rating	12VDC 10A
Colour	Black Body Green Illuminated
Switching Action	SP On off
Contact Diameter	P5 (2.3mm)
Contact Resistance	30m Ohms Max
Insulation Resistance	500VDC 100M Ohms Min
Electrical Life	10000 cycles
Operation force	300 – 600gf
Operating Temperature Range	-25 - 125°C
Housing Material	Nylon #66 UL 94V-2
Rocker Material	PC UL 94HB
Terminal Material	Copper Alloy SN or AG plated
Contact Material	AgNi (15) Alloy