

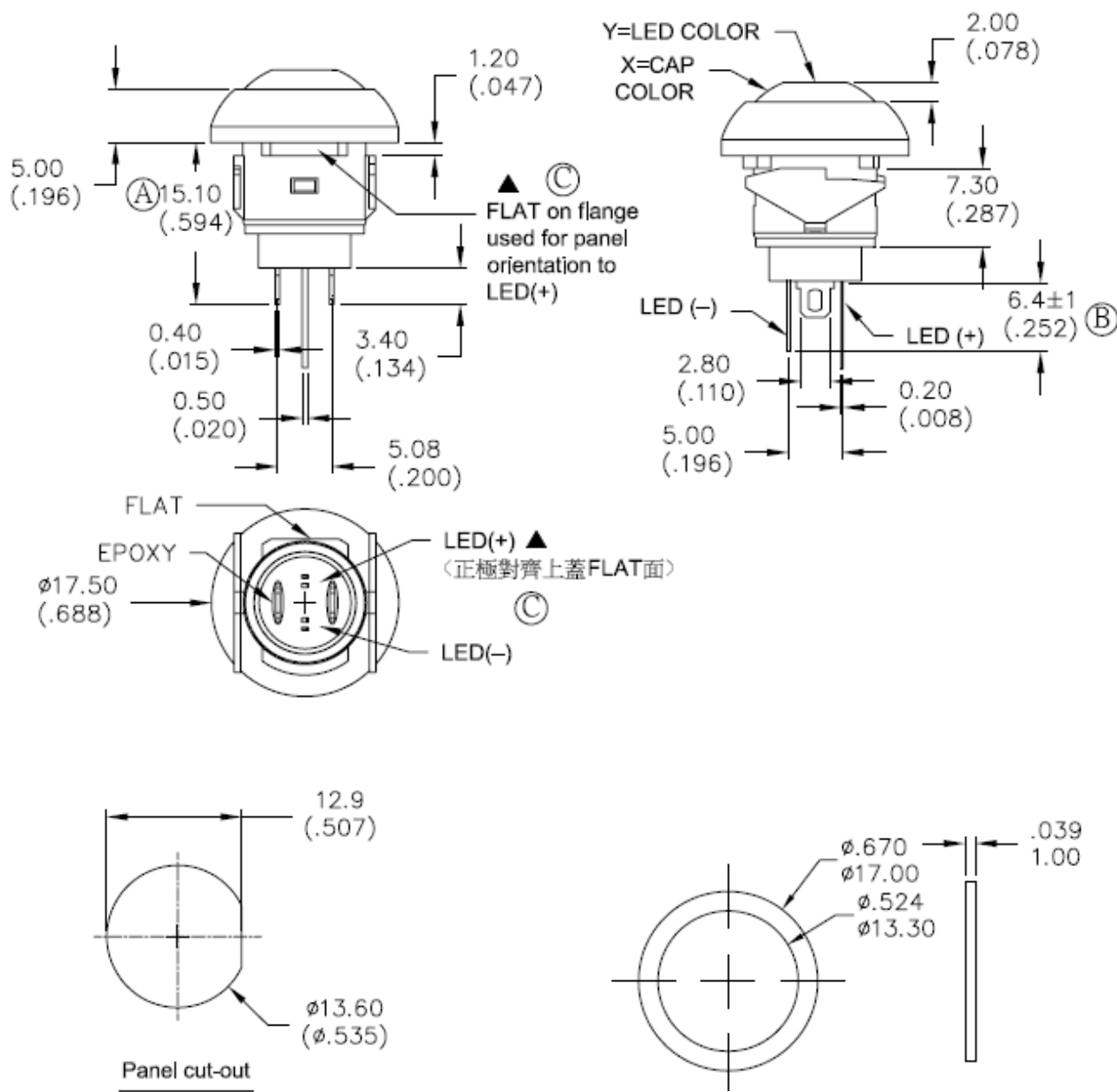
Professionally approved products.

Datasheet

Black IP67 SPST Panel Mount Off-(On) Illuminated Push Button Switch, 400 mA

RS Stock number [734-6697](#)

Drawing (mm):



Professionally approved products.

Datasheet

SPECIFICATIONS

Max. current/voltage rating with resistive load:

400mA 32VAC - 100 mA 50VDC - 125 mA 125VAC.

INITIAL CONTACT RESISTANCE: 50 mΩ max.

INSULATION RESISTANCE: 1 GΩ min. at 500VDC.

DIELECTRIC STRENGTH: 1,000 VAC rms.

ELECTRICAL LIFE AT FULL LOAD: 500,000 cycles.

PANEL THICKNESS:

B1 Series: 0.8 mm (.031) min. - 1.8 mm (.071) max.

B2 Series: 1.5 mm (.059) min. - 4 mm (.157) max.

TOTAL TRAVEL: 1.5 mm (.059).

OPERATING FORCE: 2N~5N.

CONTACT BOUNCE: 10 ms.

MECHANICAL LIFE: 1,000,000 cycles.

TORQUE: 1.5 Nm max. applied to nut.

SOLDERING: 350°C max. for 3 seconds.


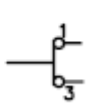
MATERIALS

CASE: Polyamide 4/6 UL94-V0.

CAP: Polyamide 6/6.

BUSHING: Polyamide 6/6.

TERMINAL/CONTACTS: Gold over silver plated.

| Model No. | POS.1 | POS.2 |
|-------------|-------|--|
| | PAS6 | OFF  |
| Term. Comm. | OPEN | SHORT |
| SCHEMATIC | |  |

SWITCH FUNCTION