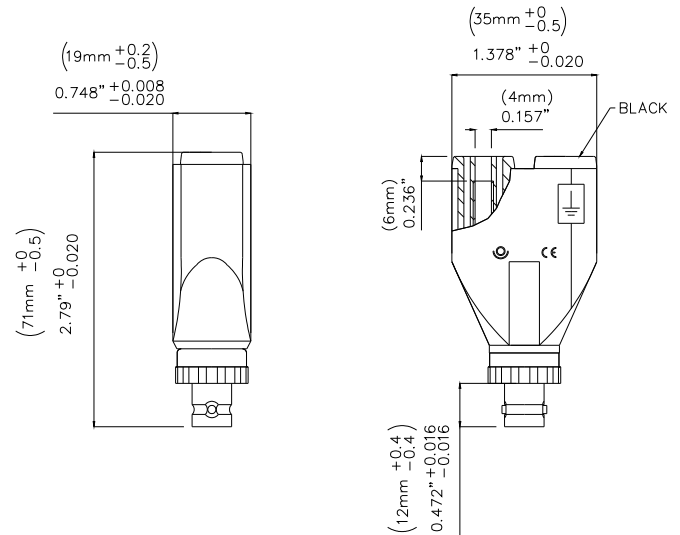


**Model 72938**  
**IEC Insulated BNC (F) to two 4 mm banana jacks**



**Features**

- IEC Insulated BNC (F) to two 4 mm banana jacks.
- Adapter converts test instrument safety banana leads to BNC configuration for added shielding and safety.
- Rating: 500V Cat I, 150V Cat II

**Specifications**

Max Current	3A
Max Voltage	500V CAT I, 150V CATII

**Materials**

- Connector body: Nickel plated Brass
- Center Contact: Gold Plated Brass
- Dielectric: White PTFE
- Insulation: Polyamide
- Banana Jack: Nickel plated Brass

**Ordering Information**

Model: 72938

**USA:** Sales: 800-490-2361 Fax: 888-403-3360  
**Europe:** 31-(0) 40 2675 150 **International:** 425-446-5500  
**e-mail:** [technicalsupport@pomonatest.com](mailto:technicalsupport@pomonatest.com)

**Where to Buy:** [www.pomonaelectronics.com](http://www.pomonaelectronics.com)

All dimensions are in inches. Tolerances (except noted): .xx = ±.02" (.51 mm), .xxx = ±.005" (.127 mm). All specifications are to the latest revisions. Specifications are subject to change without notice. Registered trademarks are the property of their respective companies.