

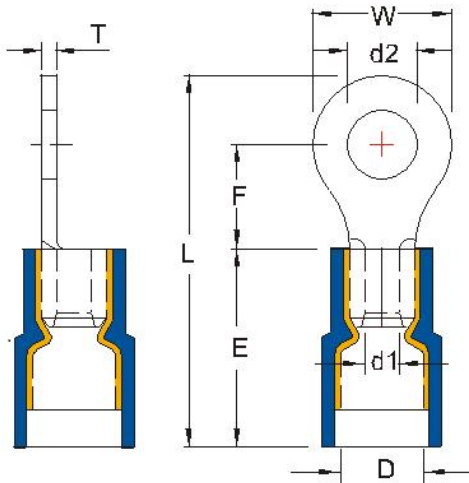


ENGLISH

Datasheet

RS Insulated Crimp Ring Terminals, Blue

RS Stock number [267-3745](#)



MAXIMUM ELECTRIC CURRENT :

A.W.G.	22	20	18	16	14
AMP.	9	12	17	18	30

MAXIMUM ELECTRICAL RATING: 105°C 600 VOLTS MAX

INSULATION MATERIAL : NYLON

INSULATION COLOR :

22-16 A.W.G.: RED 16-14 A.W.G.: BLUE

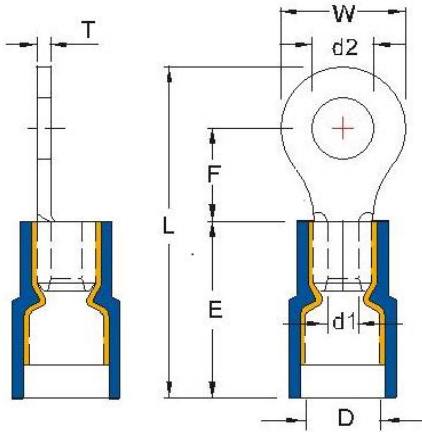
DOUBLE CRIMP : WITH COPPER SLEEVE ON BARREL

TERMINAL MATERIAL : COPPER

WIRE RANGE A.W.G. mm ²	ITEM NO.	STUD SIZE		DIMENSION <small>inch mm</small>							CRIMPING TOOL	Q'TY BOX
		d2		W	F	L	E	D	d1	T		
22-16 A.W.G.	RNYD1-3.2	#4	.126 3.2								IZUMI MODEL 34 WITH DIE INDEX COLOR:RED OR K.S. MODEL KST2000B WITH DIE INDEX COLOR:RED	1000
	RNYDS1-3.7	#6	.146 3.7	.217 5.5	.197 5.0	.728 18.5						1000
	RNYDM1-3.7	#6	.146 3.7	.260 6.6	.248 6.3	.803 20.4						1000
	RNYDL1-3.7	#6	.146 3.7	.315 8.0	.276 7.0	.858 21.8						1000
	RNYDS1-4	#8	.169 4.3	.260 6.6	.248 6.3	.803 20.4						1000
	RNYDL1-4	#8	.169 4.3									1000
	RNYD1-5	#10	.209 5.3	.315 8.0	.276 7.0	.858 21.8						1000
	RNYDL1-5	#10	.209 5.3				.433 11.0	.177 4.5	.067 1.7	.030 0.75		1000
0.5-1.5 mm ²	RNYD1-6	1/4	.252 6.4	.457 11.6	.433 11.0	1.094 27.8						1000
	RNYD1-8	5/16	.331 8.4									1000
	RNYD1-10	3/8	.413 10.5	.535 13.6	.547 13.9	1.240 31.5						1000
	RNYD1-12	1/2	.512 13.0	.772 19.6	.630 16.0	1.433 36.4						1000
	RNYD1-14	9/16	.591 15.0									1000
	RNYD1-16	5/8	.669 17.0	1.063 27.0	.827 21.0	1.783 45.3				.031 0.8		1000
	RNYD1-20	3/4	.827 21.0									1000
	16-14 A.W.G.	RNYD2-3.2	#4	.126 3.2								
RNYDS2-3.7		#6	.146 3.7	.260 6.6	.189 4.8	.740 18.8					1000	
RNYDM2-3.7		#6	.146 3.7								1000	
RNYDL2-3.7	#6	.146 3.7	.335 8.5	.291 7.4	.898 22.8	.433 11.0	.205 5.2	.091 2.3	.031 0.8	1000		
1.5-2.5 mm ²	RNYDS2-4	#8	.169 4.3	.260 6.6	.248 6.3	.803 20.4					1000	
	RNYDL2-4	#8	.169 4.3								1000	
	RNYDS2-5	#10	.209 5.3	.335 8.5	.307 7.8	.898 22.8					1000	



ENGLISH



MAXIMUM ELECTRIC CURRENT :

A.W.G.	16	14	12	10
AMP.	18	30	35	50

MAXIMUM ELECTRICAL RATING : 105°C 600 VOLTS MAX.

INSULATION MATERIAL : NYLON

INSULATION COLOR :

16-14 A.W.G.: BLUE 12-10 A.W.G.: YELLOW

DOUBLE CRIMP : WITH COPPER SLEEVE ON BARREL

TERMINAL MATERIAL : COPPER

WIRE RANGE A.W.G. mm ²	ITEM NO.	STUD SIZE		DIMENSION ^{inch} / _{mm}						CRIMPING TOOL	Q'TY BOX		
		d2		W	F	L	E	D	d1			T	
16-14 A.W.G.	RNYDL2-5	#10	.209 5.3	.374 9.5	.287 7.3	.898 22.8	.433 11.0	.205 5.2	.091 2.3	.031 0.8	IZUMI MODEL 34 WITH DIE INDEX COLOR:BLUE OR K.S. MODEL KST2000B WITH DIE INDEX COLOR:BLUE	1000	
	RNYD2-6	1/4	.252 6.4	.472 12.0	.433 11.0	1.094 27.8						1000	
	RNYD2-8	5/16	.331 8.4									1000	
	RNYD2-10	3/8	.413 10.5	.535 13.6	.547 13.9	1.240 31.5						1000	
	RNYD2-12	1/2	.512 13.0	.756 19.2	.630 16.0	1.433 36.4						1000	
	RNYD2-14	9/16	.591 15.0	1.063 27.0	.827 21.0	1.783 45.3						1000	
	RNYD2-16	5/8	.669 17.0									1000	
	RNYD2-20	3/4	.827 21.0									1000	
12-10 A.W.G.	RNYD5-3.7	#6	.146 3.7	.283 7.2	.240 6.1	.894 22.7	.512 13.0	.276 7.0	.134 3.4	.039 1.0	IZUMI MODEL5 WITH DIE INDEX COLOR:YELLOW OR K.S. MODEL KST2000B WITH DIE INDEX COLOR:YELLOW	500	
	RNYDS5-4	#8	.169 4.3									500	
	RNYDL5-4	#8	.169 4.3	.374 9.5	.327 8.3	1.024 26.0						500	
	RNYD5-5	#10	.209 5.3									500	
	RNYD5-6	1/4	.252 6.4	.472 12.0	.413 10.5	1.161 29.5						500	
	RNYDM5-6	1/4	.252 6.4									.512 13.0	1.260 32.0
	RNYD5-8	5/16	.331 8.4	.591 15.0	.524 13.3	1.339 34.0						500	
	RNYD5-10	3/8	.413 10.5									500	
	4-6 mm ²	RNYD5-12	1/2	.512 13.0	.756 19.2	.630 16.0						1.520 38.6	500
		RNYD5-14	9/16	.591 15.0	1.260 32.0	.992 25.2						2.134 54.2	500
		RNYD5-16	5/8	.669 17.0									500
		RNYD5-20	3/4	.827 21.0									500