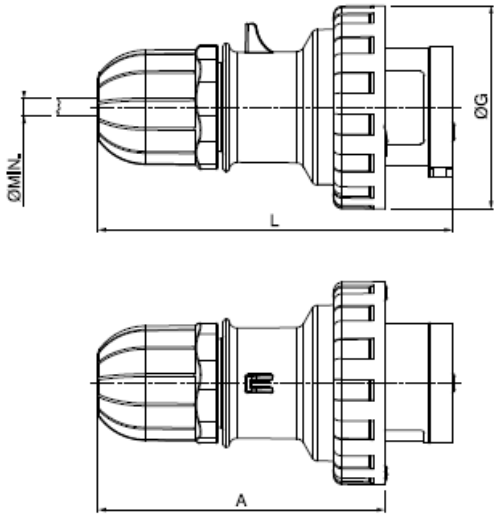
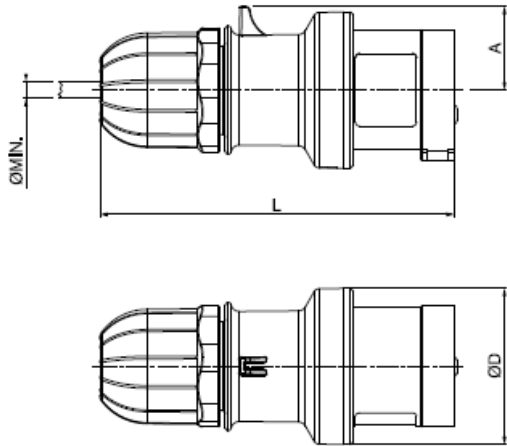


Datasheet

Yellow Cable Mount Male 2P+E Straight Industrial Power Plug Rated At 16A, 110 V ac

RS Stock number [724-9182](#)

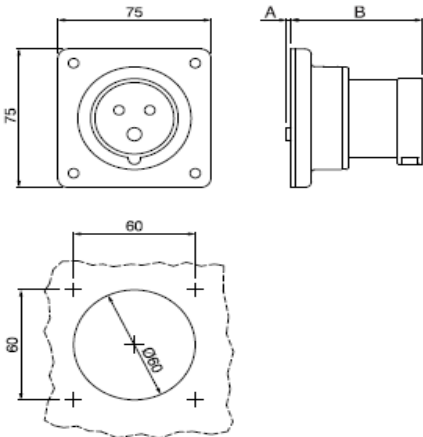
PLUGS



| IP44 | | A | Ø D | L Min | Ø Min |
|------|--------|----|-----|-------|-------|
| 16A | 2P+E | 30 | 56 | 128 | 6 |
| | 3P+E | 34 | 60 | 135 | 6 |
| | 3P+N+E | 38 | 65 | 153 | 9 |
| 32A | 2P+E | 40 | 65 | 162 | 9 |
| | 3P+E | 40 | 65 | 162 | 9 |
| | 3P+N+E | 45 | 73 | 176 | 13 |

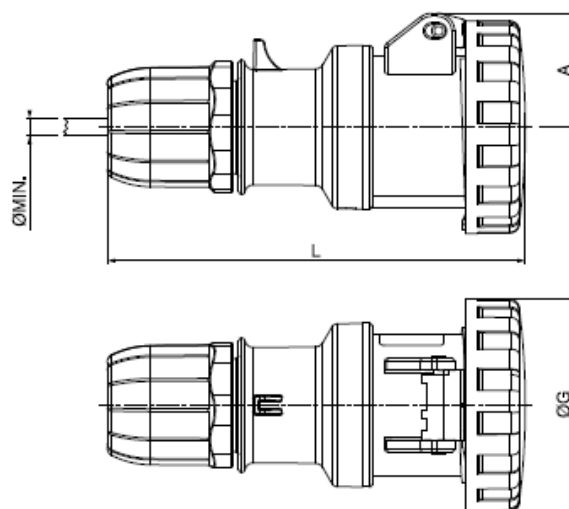
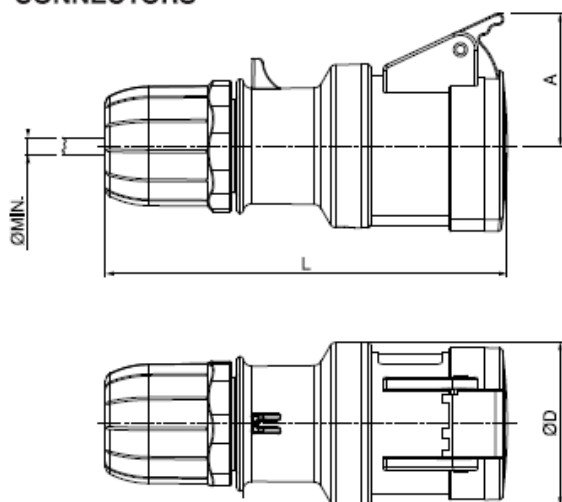
| IP66/IP67 | | A | Ø G | L Min | Ø Min |
|-----------|--------|-----|-----|-------|-------|
| 16A | 2P+E | 103 | 73 | 128 | 6 |
| | 3P+E | 110 | 81 | 135 | 6 |
| | 3P+N+E | 129 | 88 | 153 | 9 |
| 32A | 2P+E | 131 | 93 | 162 | 9 |
| | 3P+E | 131 | 93 | 162 | 9 |
| | 3P+N+E | 145 | 101 | 176 | 13 |
| 63A | | 160 | 112 | 220 | 17 |
| 125A | | 202 | 128 | 272 | 26 |

APPLIANCE INLETS - IP44



| IP44 | | A | B |
|------|--------|----|----|
| 16A | 2P+E | 2 | 65 |
| | 3P+E | 2 | 65 |
| | 3P+N+E | 2 | 65 |
| 32A | 2P+E | 19 | 73 |
| | 3P+E | 19 | 73 |
| | 3P+N+E | 19 | 73 |

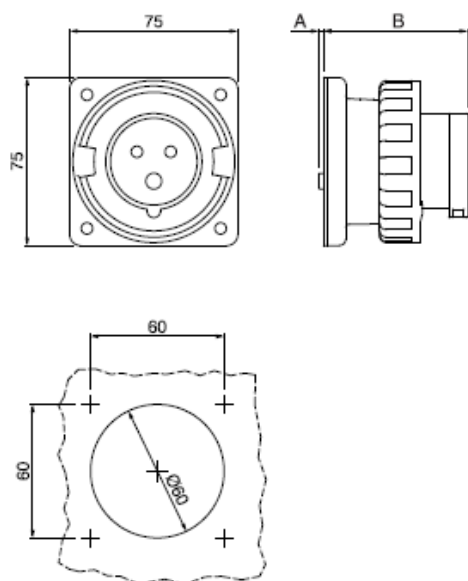
CONNECTORS



| IP44 | | A | Ø D | L Min | Ø Min |
|------|--------|----|-----|-------|-------|
| 16A | 2P+E | 46 | 56 | 138 | 6 |
| | 3P+E | 49 | 60 | 145 | 6 |
| | 3P+N+E | 54 | 65 | 165 | 9 |
| 32A | 2P+E | 54 | 65 | 175 | 9 |
| | 3P+E | 54 | 65 | 175 | 9 |
| | 3P+N+E | 59 | 73 | 190 | 13 |

| IP66/IP67 | | A | Ø G | L Min | Ø Min |
|-----------|--------|-------|-----|-------|-------|
| 16A | 2P+E | 39 | 73 | 141 | 6 |
| | 3P+E | 43 | 81 | 148 | 6 |
| | 3P+N+E | 51 | 88 | 168 | 9 |
| 32A | 2P+E | 56 | 93 | 178 | 9 |
| | 3P+E | 56 | 93 | 178 | 9 |
| | 3P+N+E | 52 | 101 | 195 | 13 |
| 63A | | 57,5 | 112 | 230 | 17 |
| 125A | | 64,25 | 128 | 288 | 26 |

APPLIANCE INLETS - IP66/IP67



| IP66/IP67 | | A | B |
|-----------|--------|----|----|
| 16A | 2P+E | 2 | 65 |
| | 3P+E | 2 | 65 |
| | 3P+N+E | 2 | 65 |
| 32A | 2P+E | 19 | 73 |
| | 3P+E | 19 | 73 |
| | 3P+N+E | 19 | 73 |