

Professionally approved products.

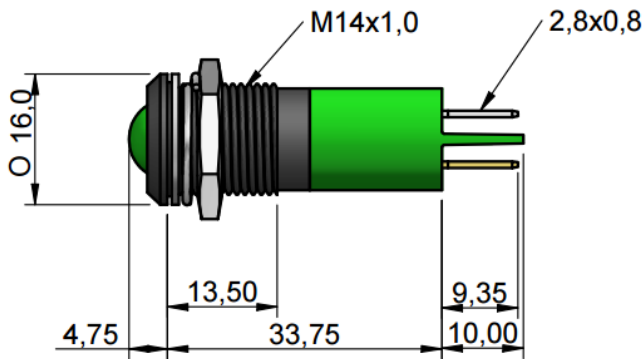
Datasheet

RS, 14.5mm, Prominent, Green neon Panel Mount Indicator, Solder Tab Termination, 10 mm Lamp Size, 240 V

RS Stock number [209-210](#)

RS ITEM NO 209-210

ITEM NO Q14P1BXXNG220



LED/Multiled	<i>Neon</i>	Optimum voltage (V)	<i>230Vac</i>	Intensity
Mounting Size	<i>14mm</i>	Rectifier	-	
Mounting Finish	<i>Black</i>	AC current	-	
Protection	<i>IP40</i>	DC current	-	
Mount Holder	<i>Prominent</i>	Voltage Tolerance(%)	<i>10%</i>	
Chip Qty	-	Optimum temperature (°C)	<i>-40°C...+85°C</i>	
Indicator colour	<i>Green</i>	Storage temperature (°C)	-	
Wavelength (nm)	-	Contact Tab x 2	<i>2.8x0.8mm</i>	



Dimension in mm (typical), not to scale.
We reserve the right to make changes without further notice to this product to improve reliability, function or design.