



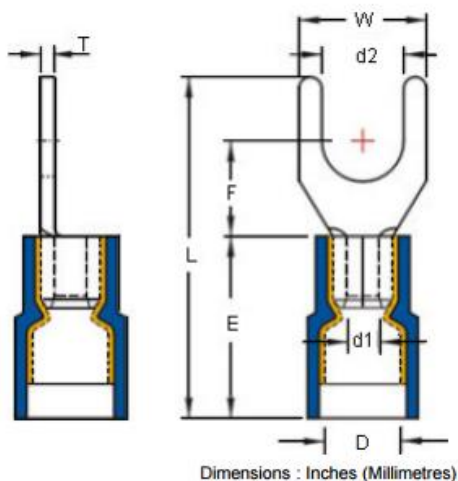
Datasheet

ENGLISH

RS SNYDL Series Insulated Crimp Spade Connector

RS Stock number [267-3694](#)

Dimensions: (mm)



Specifications

- Maximum Electrical Rating: 105 °C 600 Volts
- Insulation Material: Nylon
- Insulation Colour: Red (22 to 16 AWG)
: Blue (16 to 14 AWG)
: Yellow (12 to 10 AWG)
- Terminal Material: Copper
- Double Crimp: With Copper Sleeve on Barrel