



ENGLISH

Datasheet

Stock No: 299-4711

RS Pro Magnet Reed Switch, Surface Mount, 500mA, 100V dc, 150 x 40 x 15mm



Product Details

Large Roller Shutter

Single reed 18in. magnetic contacts for use on roller shutter type doors, where the actuating magnet is fixed to the door.

Set includes magnet and proximity switch

N/O (Normally Open) door contact

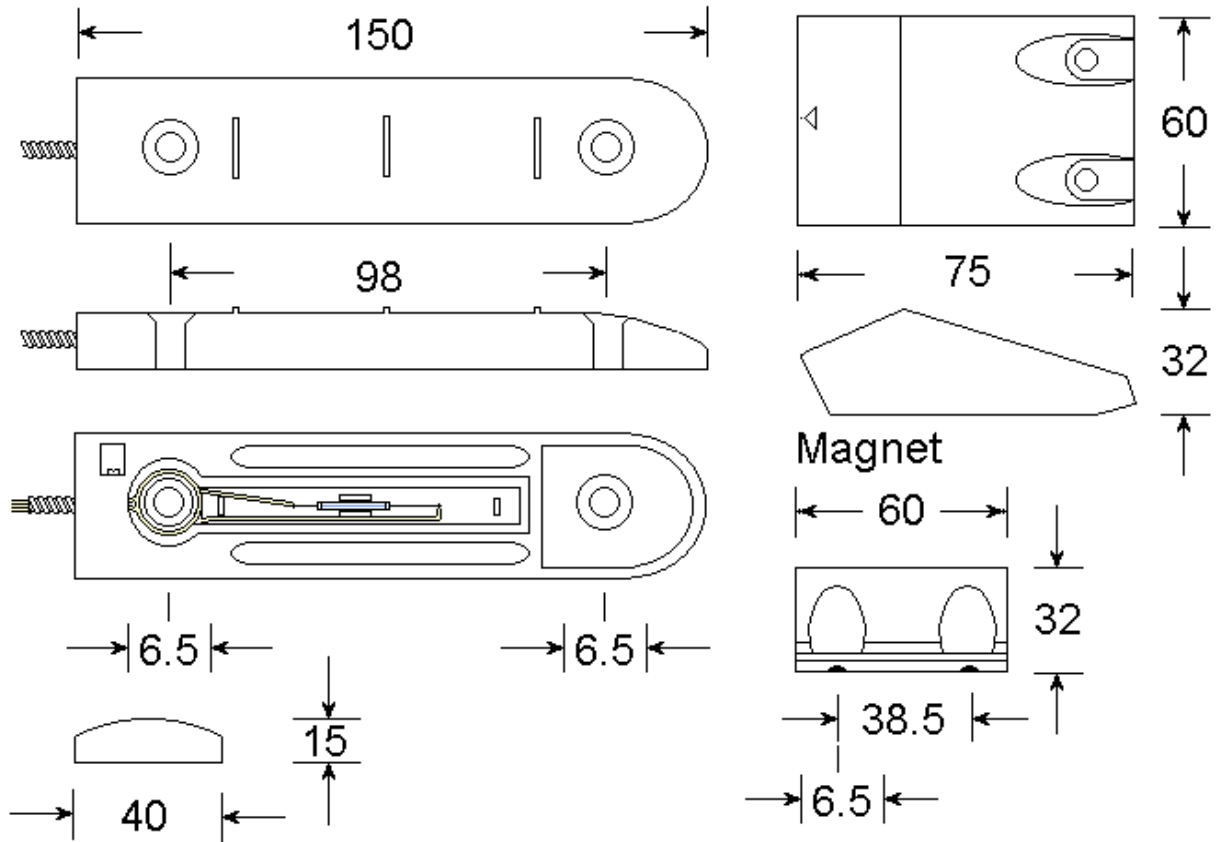
Standards


BS 5750 Part 2

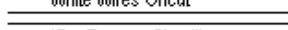
Specifications:

Activation Type	Magnet Reed Switch
Mounting Type	Surface Mount
Switch Configuration	Normally Open
Switching Current	500mA
Switching Voltage	100V dc
Operating Gap	50mm
Depth	15 mm
Height	150 mm
Operating Gap Maximum	50mm
Width	40mm

Dimensions:




 White Wires Cut & Prepared
 (For Alarm Circuit)


 White Wires Uncut
 (For Tamper Circuit)