

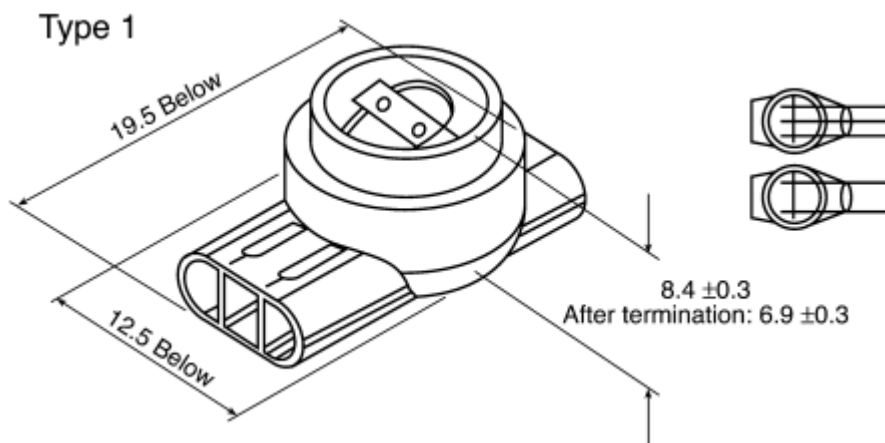
Professionally approved products.
Datasheet
Telecom Splicing Connector

RS Stock number [510-4804](#)



Specifications:

- Diameter: 8.4mm
- Overall Length: 19.5mm
- Wire Size: 26 → 19 AWG
- Insulation: Insulated
- Shrouded: Shrouded



Units: mm