

**Professionally approved products.**

## Datasheet

### Quick Acting F LBC Fuse, 5A, 5x20mm

RS Stock number [563-526](#)

UFE

UFE-A



## Specifications:

### Materials

Glass body/nickel plated brass caps

Lead wire: Tin-lead plated copper, Diameter  $\varnothing 0.8\text{mm}$ .

### Interrupting Ratings

35 amperes or 10 in rated current; whichever is greater.

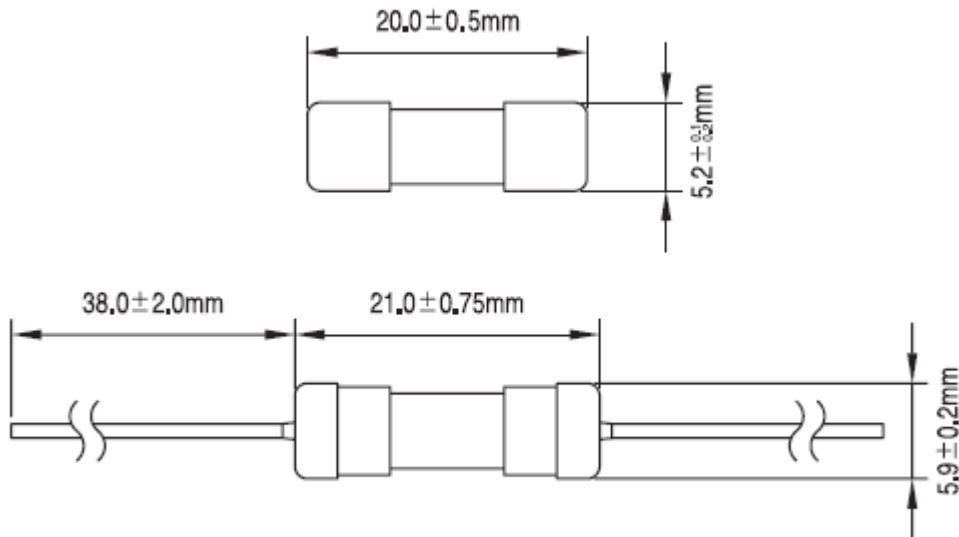
### Operating Temperature

-55°C to + 125°C

Professionally approved products.

## Datasheet

Drawing (mm):



### Electrical Characteristic:

Rated Current	1.5In	2.1In	2.75 In		4 In		10 In
	MIN	MAX	MIN	MAX	MIN	MAX	MAX
63mA~100mA	60 min	30 min	10 ms	500 ms	3 ms	100 ms	20 ms
125mA~6.3A	60 min	30 min	50 ms	2 sec	10 ms	300 ms	20 ms
8A~10A	30 min	30 min	50 ms	2 sec	10 ms	400 ms	40 ms