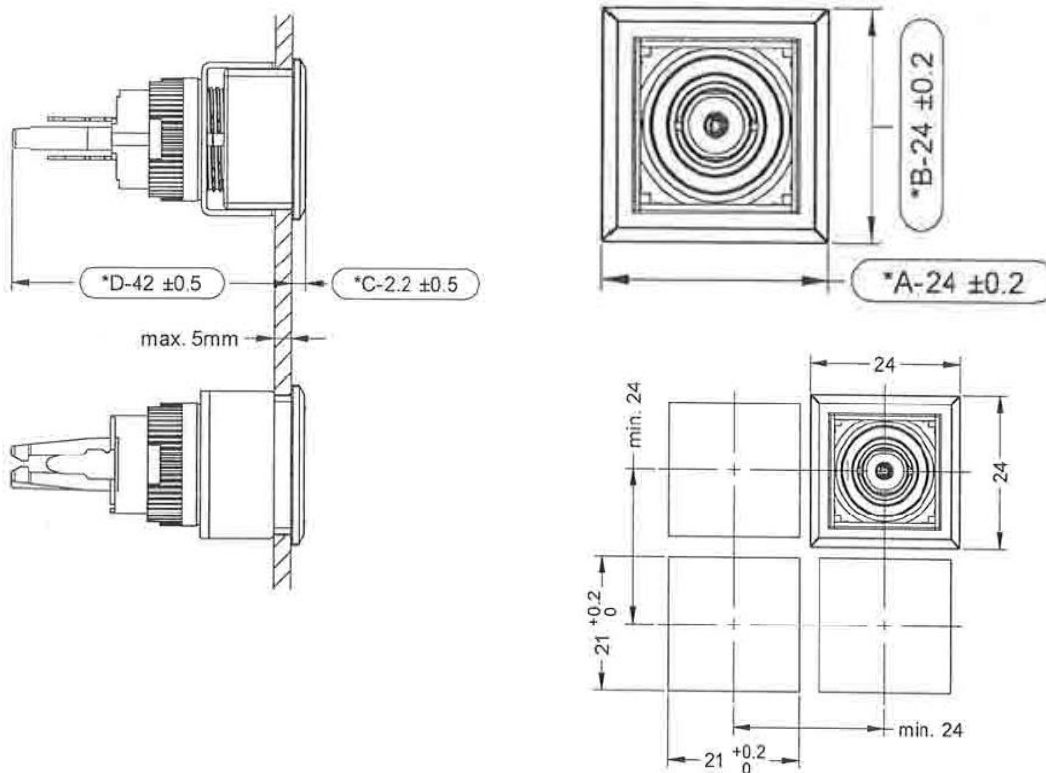


Datasheet

IP65 Panel Mount Alternate Illuminated Push Button Switch, 8 A

RS Stock number [745-2455](#)

Dimensions: mm



Specification

Mechanical lifetime: >0.2 million operations

Motion tolerance: < 20 operation/min

Panel thickness: 0.5~5mm

Degree of protection: IP 65

Storage temperature: -40°C to +70°C

Operating temperature: -25°C to +55°C (25°C+70°C without lamp)