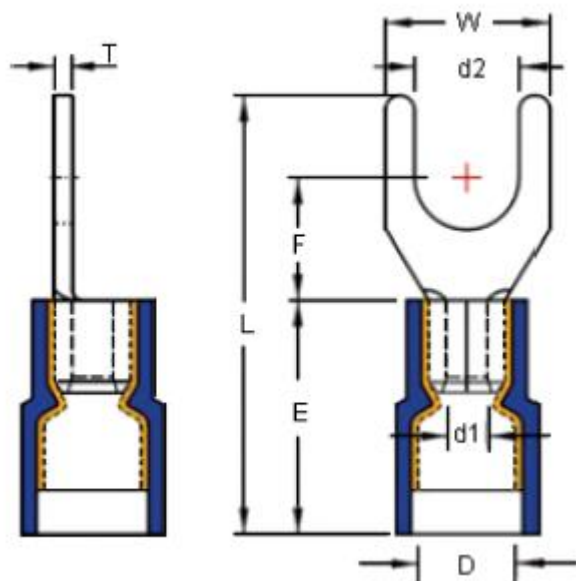


## Datasheet

# SNYD Series Insulated Crimp Spade Connector 22 → 16 AWG, M3, Red Nylon

RS Stock number [267-3717](#)

Drawing (mm):



Dimensions								Part Number
d2	W	F	L	E	D	d1	T	
0.126 (3.2)	0.224 (5.7)	0.256 (6.5)	0.866 (22)	0.433 (11)	0.177 (4.5)	0.067 (1.7)	0.03 (0.75)	SNYD1-3.2
					0.205 (5.2)	0.091 (2.3)	0.031 (0.8)	SNYD2-3.2
0.146 (3.7)	0.252 (6.4)	0.433 (11)	1.102 (28)		0.177 (4.5)	0.067 (1.7)	0.03 (0.75)	SNYDL1-3.7
0.169 (4.3)	0.319 (8.1)							SNYDL1-4
0.252 (6.4)	0.472 (12)	0.433 (11)	1.102 (28)				SNYDL1-6	
0.209 (5.3)	0.354 (9)	0.276 (7)	1.004 (25.5)	0.512 (13)	0.276 (7)	0.134 (3.4)	0.039 (1)	SNYD5-5
0.252 (6.4)	0.472 (12)	0.433 (11)	1.102 (28)					SNYDL2-6
0.169 (4.3)	0.311 (7.9)	0.256 (6.5)	0.866 (22)	0.433 (11)	0.205 (5.2)	0.091 (2.3)	0.031 (0.8)	SNYDM2-4



### Specifications:

Max. Electric Current	AWG	22	20	18	16	14	12	10
	Amperes	9	12	17	18	30	35	50
Type	: Spade							
Series	: SNYD							
Termination Method	: Crimp							
Contact Plating	: Tin							
Insulator Material	: Nylon							
Max. Electrical Rating	: 105°C 600V							
Insulation Colour	: Red (22AWG to 16 AWG)							
	: Blue (16AWG to 14 AWG)							
	: Yellow (12AWG to 10 AWG)							
Double Crimp	: With copper sleeve on barrel							
Packing	: 100 pieces							