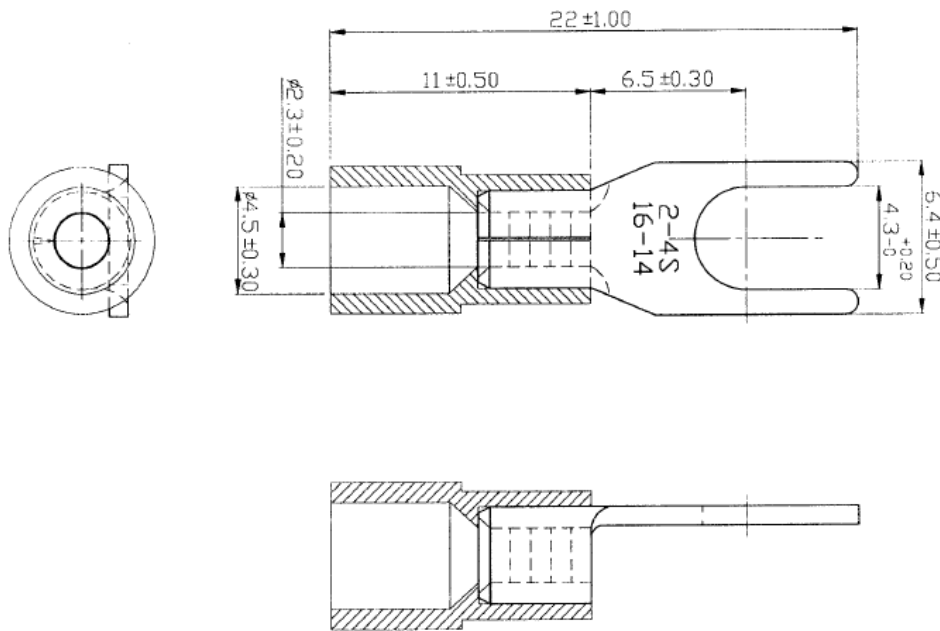


Professionally approved products.

Datasheet

Insulated Crimp Spade Connector 16 → 14 AWG, M4, Blue Vinyl

RS Stock number [613-9435](#)



Specifications:

1. MAXIMUM ELECTRIC CURRENT :

| | | |
|--------|----|----|
| A.W.G. | 16 | 14 |
| AMP. | 18 | 30 |
2. MAXIMUM ELECTRICAL RATING : 75°C 600 VOLTS MAX.
3. INSULATION MATERIAL : VINYL
4. INSULATION COLOR : BLUE
5. TERMINAL MATERIAL : COPPER
6. WIRE RANGE : 16-14 A.W.G. (1.5-2.5 mm²)
7. TERMINAL SURFACE TREATMENT : TIN PLATED
8. TERMINAL THICKNESS : 0.80 mm