

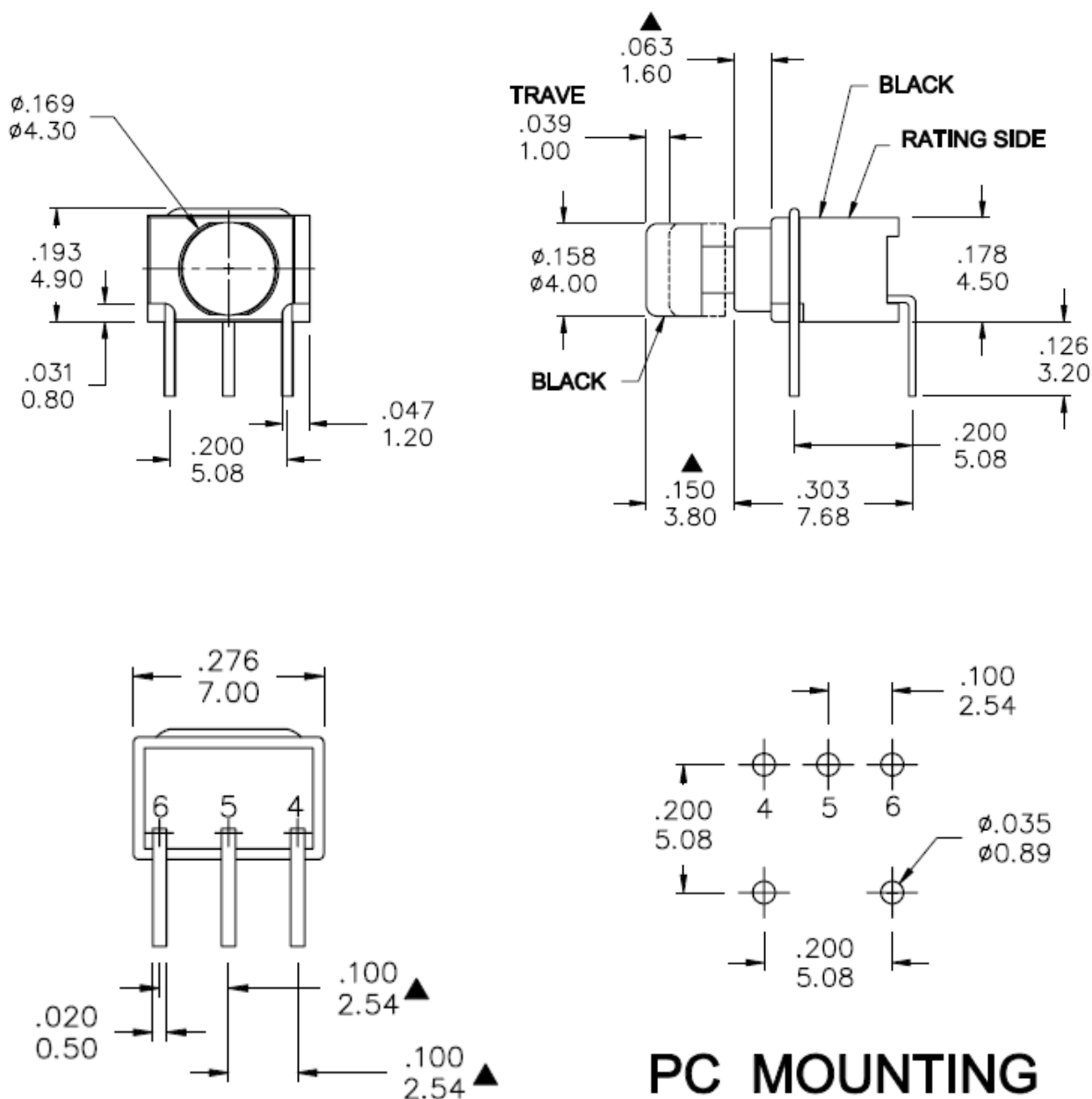
Professionally approved products.

## Datasheet

# Black IP67 SPDT PCB ON-(ON) Push Button Switch, 0.4 VA

RS Stock number [734-6754](#)

Drawing (mm):



**PC MOUNTING**

## Professionally approved products.

# Datasheet

### SPECIFICATIONS

MECHANICAL LIFE: 40,000 make-and-break cycles.

CONTACT RATING: 0.4 VA max. @ 20 V AC or DC max.

CONTACT RESISTANCE: Below 100 mΩ typ. initial @ 2-4 V DC, 100 mA.

INSULATION RESISTANCE: 500 MΩ min.

DIELECTRIC STRENGTH: 500 Vrms min. @ sea level.

OPERATING TEMPERATURE: - 30°C to 85°C

### MATERIALS

HOUSING AND BASE: Glass filled nylon 6/6 or 4/6 , flame retardant, heat stabilized (UL94V-0)

ACTUATOR: Glass filled nylon 6/6 , flame retardant, heat stabilized (UL94V-0), with standard internal o-ring seal.

STATIONARY CONTACTS: Copper alloy, with silver plate over nickel plate.

TERMINALS: C2680, with gold plated.

TERMINAL SUPPORT: steel, with nickel plate.

TERMINAL SEAL: Epoxy. All terminals insert molded.

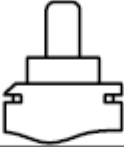

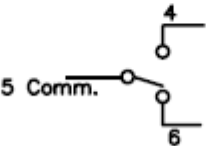
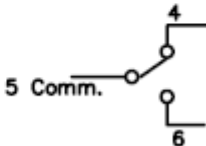
RoHS: 2002/95/EC

**NOTE:** Specifications and materials listed above are for switches with standard options.

For information on specific and custom switches, consult Customer Service Center.

### CAUTION

Only for Wave Soldering, do not use in IR-Reflow Soldering.

Model No.	POS.1	POS.2
		
8US8	ON	MOM
Term. Comm.	5-6	5-4
SCHEMATIC		

## SWITCH FUNCTION