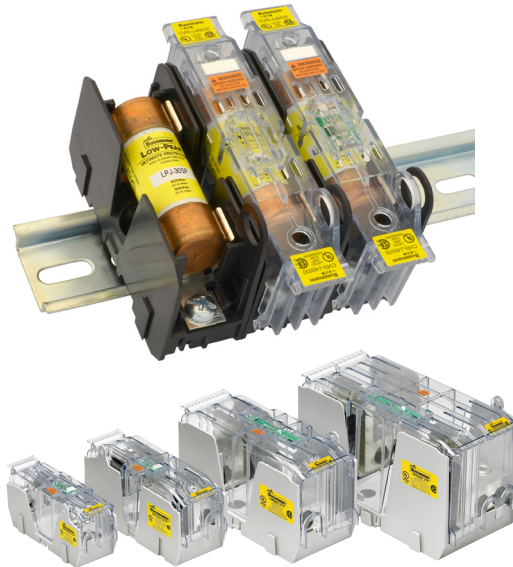


Class J modular ferrule and knifeblade fuse blocks

RoHS

Catalog symbol:

- JM60_

Description:

Bussmann® series Class J modular fuse blocks increase versatility, reduce labor and enhance safety for any panel or electrical system design. Available for the full Class J fuse amp range.

These fuse blocks feature a standard fuse clip reinforcing spring for enhanced electrical contact between the block and fuse. All blocks are available as single-pole versions that snap together for the required number of poles, or as factory configured 2-, and 3-pole versions to meet stocking requirements.

The modular design permits reducing inventory, assembly time and labor with tool-less assembly of multiple poles at point of use.

Ferrule fuse blocks up to 60 amps save panel space with the smallest width dimension on the market and feature DIN-Rail and panel mount versatility so that one product can be used for multiple applications with lower inventory cost.

Knifeblade fuse blocks from 100 to 600 amps feature phase barriers between poles for additional safety with up to four mounting holes per pole increase installation flexibility. All knifeblade blocks meet UL creep and clearance requirements for Industrial Power Circuits (UL 508 and UL 845).

Additionally, the 200 to 600 amp blocks meet the higher UL creep and clearance requirements for Power Distribution Standards (UL 98, UL 67, UL 489, UL 891 and UL 869A)

All blocks have optional IP20 finger-safe high clarity, see-through covers for inspecting wire terminations or thermography measurements without removal. All covers enhance safety by featuring probe holes for easier, safer testing and a lockout/tagout capability. These covers also have optional open fuse indication to speed troubleshooting.

Easy circuit identification is available for 30 and 60 amp blocks and covers with universal marker labels.

Specifications:

Ratings

- Volts 600 V
- Amps up to 600 A
- Withstand 200 kA RMS Sym

Agency information

- Blocks:
 - UL® Listed E14853 — IZLT and IZLT7
 - CSA® Certified 47235-6225-01
 - CE
 - RoHS Compliant
 - REACH declaration available upon request
- Covers:
 - UL Listed E58836 - JDVS
 - CSA Certified 47235-6225-01 (30 and 60A)
 - RoHS Compliant
 - REACH declaration available upon request

EATON

Powering Business Worldwide

Technical Data 10488

Effective August 2017

Poles

- 1-, 2-, 3-pole units factory assembled
- Single-pole units snap together to create desired number of poles

Flammability ratings

- Blocks: UL 94V0, self-extinguishing
- Covers: UL 94HB, self-extinguishing

Operating and storage temperature range

- Blocks -40°C to +120°C
- Covers;
 - Non-Indicating -40°C to +120°C
 - Indicating -20°C to +90°C*

* Indication requires minimum 90V and closed circuit to illuminate.

Materials

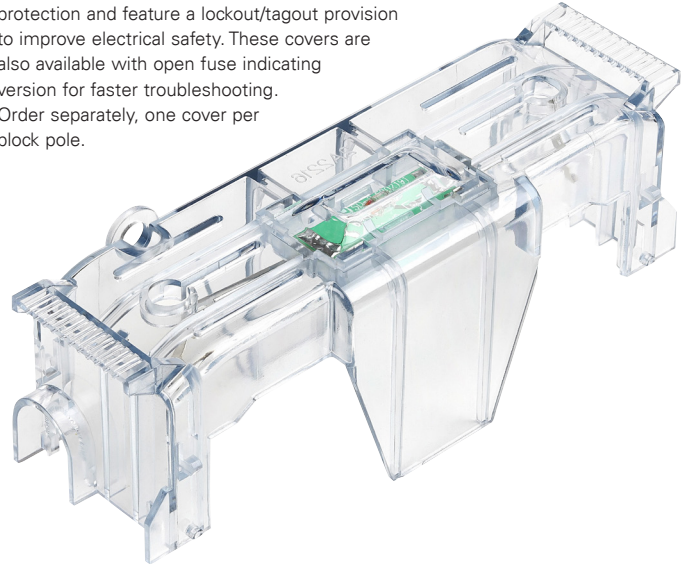
- Base: Thermoplastic
- Terminals:
 - Tin-plated copper brass (30 and 60A)
 - Tin-plated aluminum (box lug)
- Covers: Thermoplastic

Conductors

- See catalog numbers for details and torque specifications.

Class J modular ferrule and knifeblade fuse blocks

Optional see-through covers provide IP20 finger-safe protection and feature a lockout/tagout provision to improve electrical safety. These covers are also available with open fuse indicating version for faster troubleshooting. Order separately, one cover per block pole.



Standard dual lugs on 600A blocks and optional dual lugs on 400A blocks for easier wiring using two, smaller conductors.

Modular Class J ferrule and knifeblade fuse blocks



30 and 60 amp ferrule fuse blocks have DIN-rail and panel mounting capability, the modular designs allows blocks to snap together for the desired number of poles. They accept optional snap-on covers for IP20 finger-safe protection and feature a lockout/tagout to improve electrical safety.



On blocks rated from 100 to 600A, the optional covers can be completely removed for servicing or simply hinged open.



100 to 600 amp knifeblade fuse blocks are panel mount with multiple holes for installation flexibility and the modular design allows blocks to snap together for the desired number of poles. They accept optional snap-on covers for IP20 finger-safe protection and feature a lockout/tagout provision to improve electrical safety.

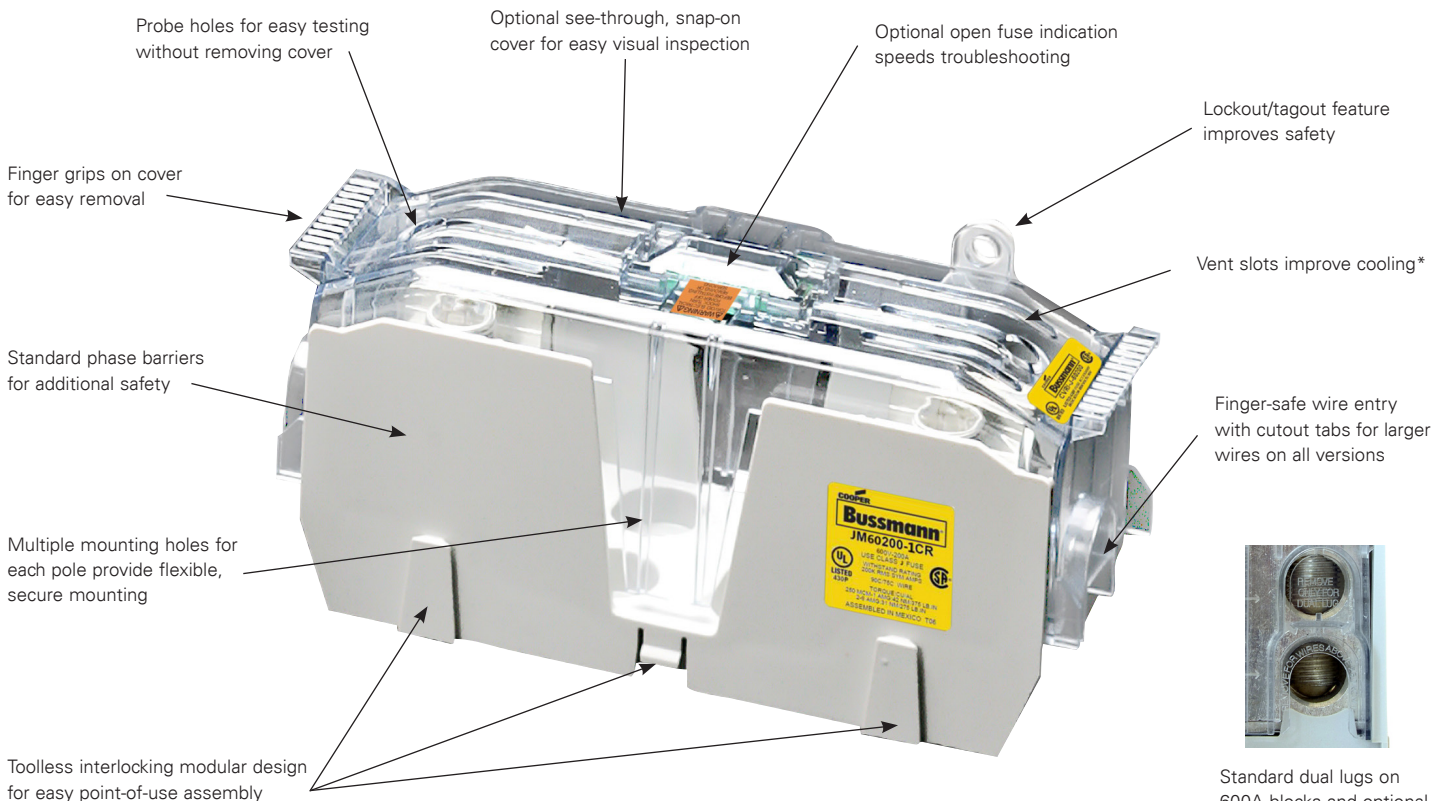
Table 6: Class J 100 to 600 amp knifeblade blocks and covers

Fuse amp range	Poles	Catalog nos.	Covers*		Conductors***		
			Non-indicating	Indicating**	Solid and stranded	Fine stranded	Torque N·m (lb·in)
70-100	1	JM60100-1CR	CVR-J-60100	CVRI-J-60100	—	Cu 1-3 AWG	6.2 (55)
	2	JM60100-2CR			1/0-3 AWG; (2) Cu 4-6 AWG	Cu 4-6 AWG	5.6 (50)
					2 4-6 AWG; (2) Cu 8 AWG	Cu 8 AWG	5.1 (45)
3	JM60100-3CR	8 AWG; (2) Cu 10-14 AWG	—	4.5 (40)			
110-200	1	JM60200-1CR	CVR-J-60200	CVRI-J-60200	Cu 10-14 AWG; Al 10-12 AWG	—	4.0 (35)
	2	JM60200-2CR			250kcmil-1 AWG	Cu 3/0-1 AWG	42 (375)
	3	JM60200-3CR			2-6 AWG; (2) Cu 2-6 AWG	Cu 2-6 AWG	31 (275)
225-400	1	JM60400-1CR	CVR-J-60400	CVRI-J-60400	600kcmil	N/A	57 (500)
	2	JM60400-2CR			500kcmil-4 AWG		51 (450)
	3	JM60400-3CR			(2) Cu 3/0 - 4 AWG		57 (500)
	1	JM60400-1MW22			(2) Al 3/0 - 4 AWG		34 (300)
	2	JM60400-2MW22					
	3	JM60400-3MW22					
450-600	1	JM60600-1CR	CVR-J-60600	CVRI-J-60600	2 (2) 500kcmil-4 AWG	N/A	51 (450)
	2	JM60600-2CR					
	3	JM60600-3CR					

* Covers sold separately.
 ** Open fuse indication requires 90 volts minimum and closed circuit to operate.
 *** Ratings for copper and aluminum conductors except where otherwise noted.

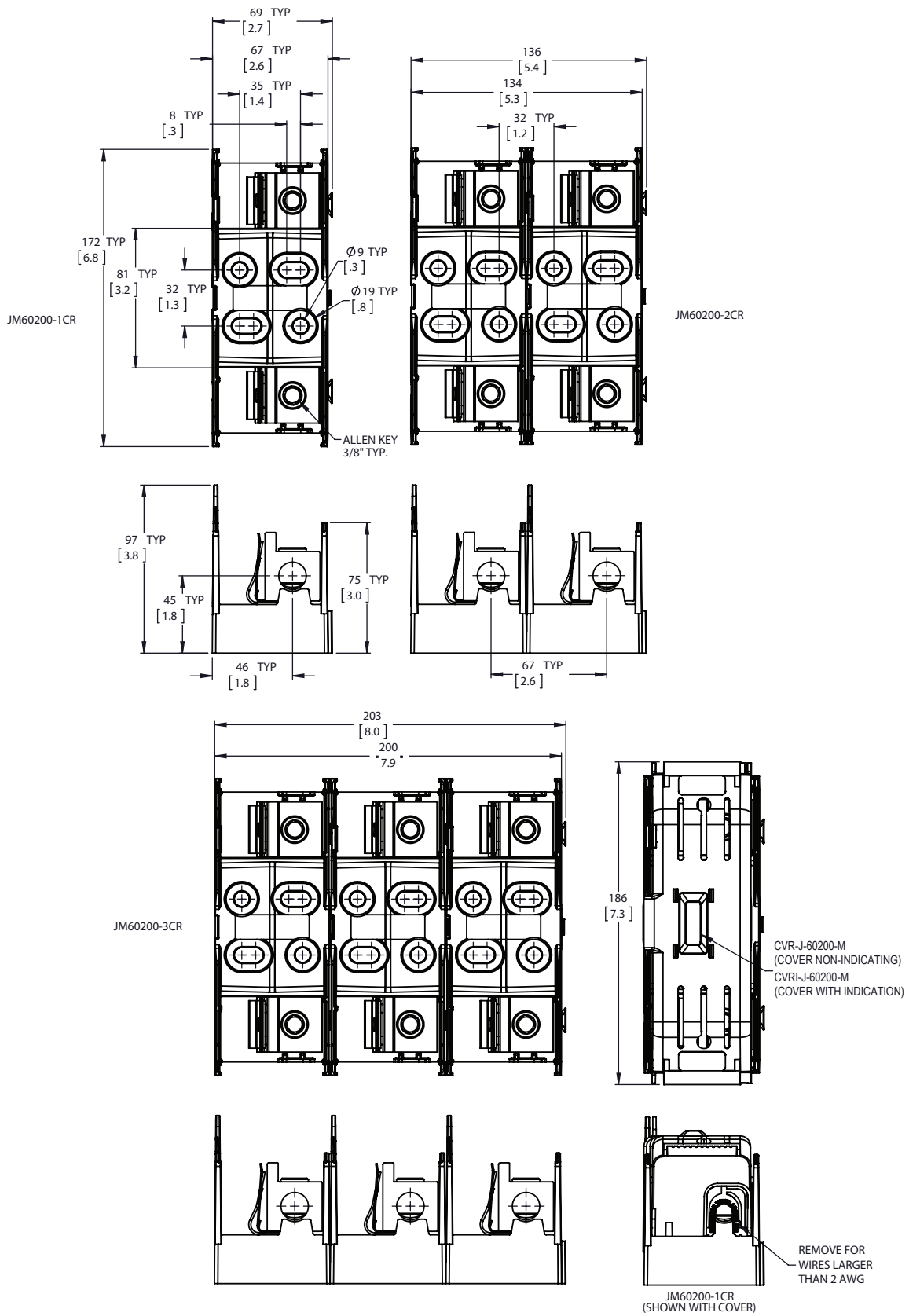
Recommended Bussmann series fuses

Description	Amps	Data sheet no.
Ultimate protection Low-Peak LPJ time-delay fuses	70 to 600	1007
Advanced protection Limitron JKS fast-acting fuses	70 to 600	1026
High speed DFJ drive fuse	70 to 600	1048



*No fuse derating necessary.

Dimensions; 200A Class J block - in (mm)



Class J Fuseblocks(600V) Catalog Data

Catalog Number	Covers		Voltage	Current	Number of Poles	Label
	Class J	w/o Indication				
JM60100-1CR	CVR-J-60100	CVRI-J-60100	600	100	1	JM60100-1CR
JM60100-2CR					2	JM60100-2CR
JM60100-3CR					3	JM60100-3CR
JM60200-1CR	CVR-J-60200	CVRI-J-60200		200	1	JM60200-1CR
JM60200-2CR					2	JM60200-2CR
JM60200-3CR					3	JM60200-3CR
JM60400-1CR	CVR-J-60400	CVRI-J-60400		400	1	JM60400-1CR
JM60400-2CR					2	JM60400-2CR
JM60400-3CR					3	JM60400-3CR
JM60600-1CR	CVR-J-60600	CVRI-J-60600	600	1	JM60600-1CR	
JM60600-2CR				2	JM60600-2CR	
JM60600-3CR				3	JM60600-3CR	

COOPER Bussmann
St. Louis MO 63178

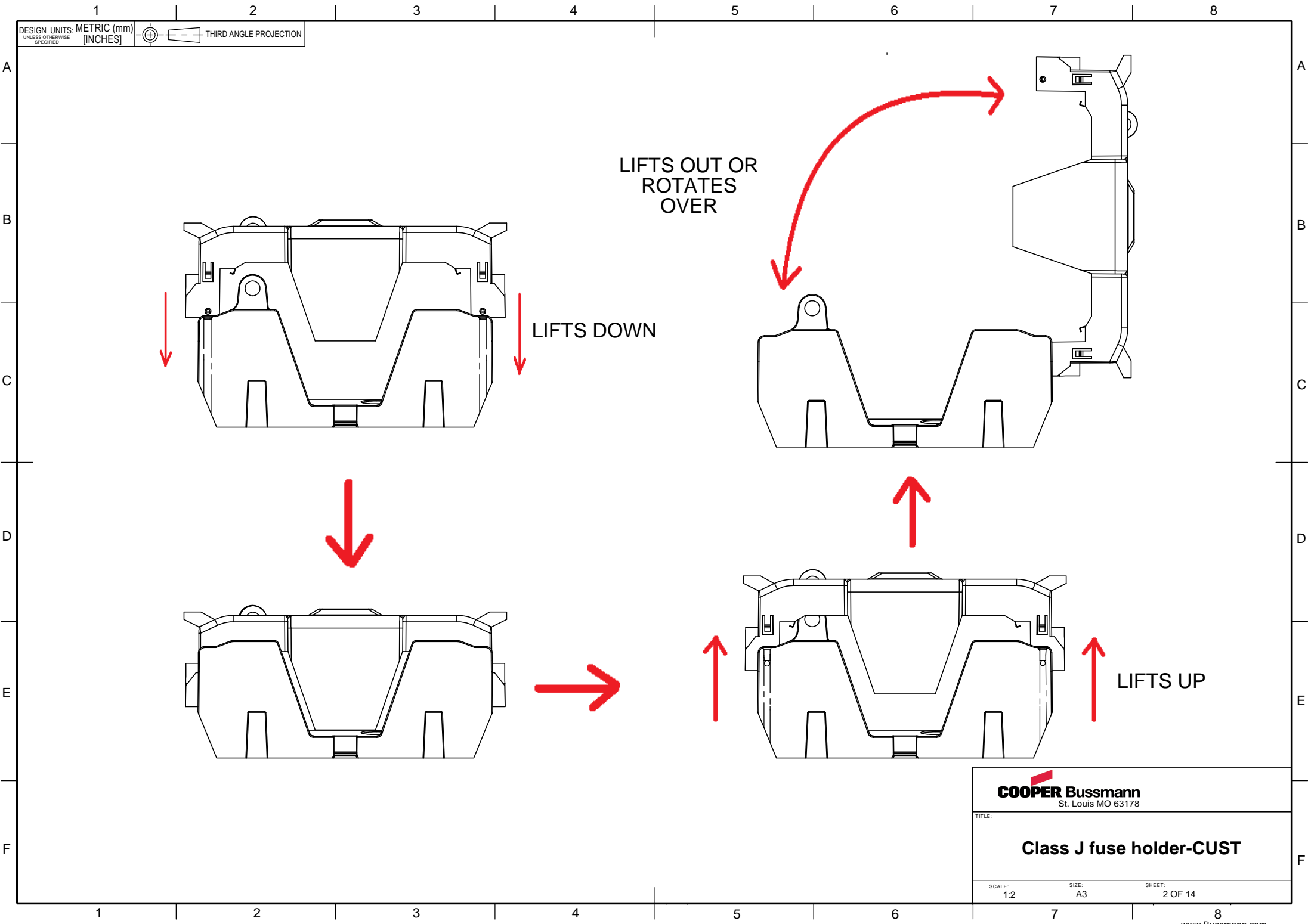
TITLE:

Class J fuse holder-CUST

SCALE: 1:5

SIZE: A3


SHEET: 1 OF 14



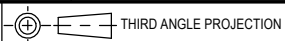
LIFTS OUT OR ROTATES OVER

LIFTS DOWN

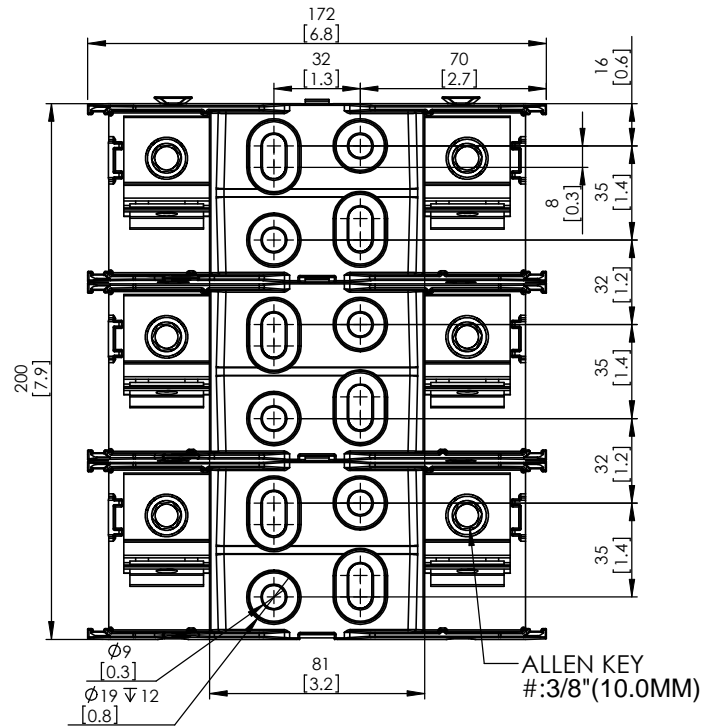
LIFTS UP

 St. Louis MO 63178		
TITLE: Class J fuse holder-CUST		
SCALE: 1:2	SIZE: A3	SHEET: 2 OF 14

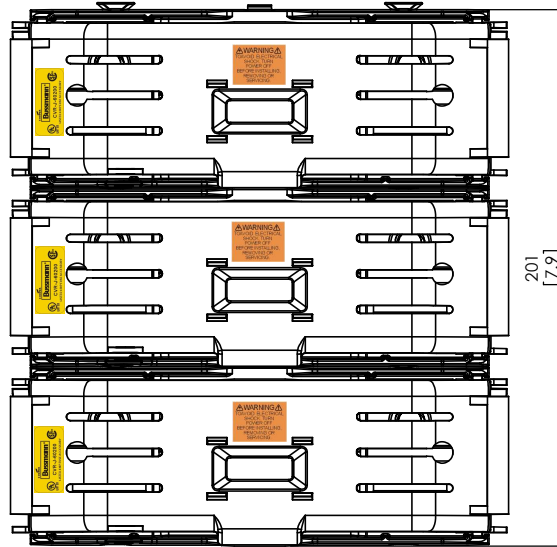
DESIGN UNITS: METRIC (mm)
UNLESS OTHERWISE SPECIFIED
[INCHES]



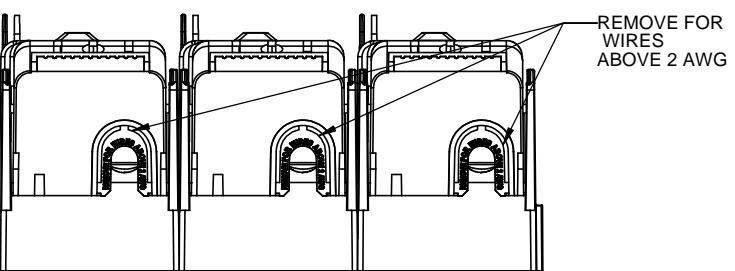
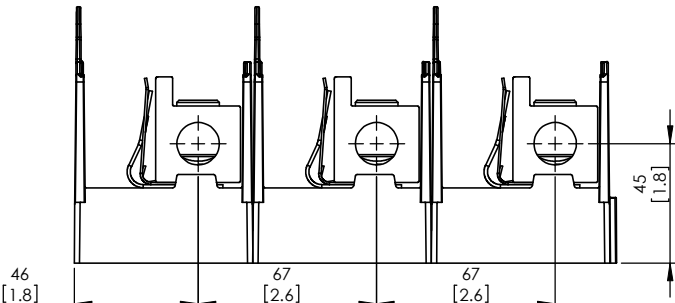
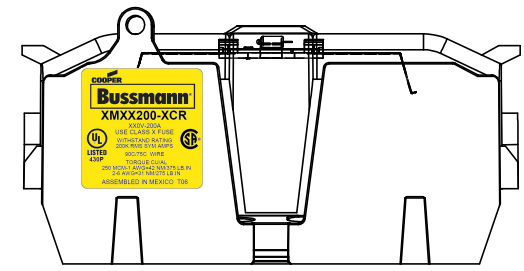
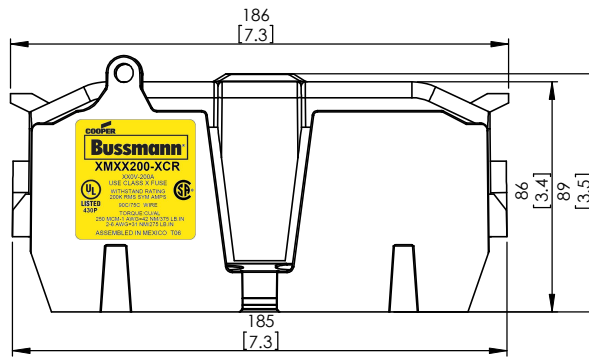
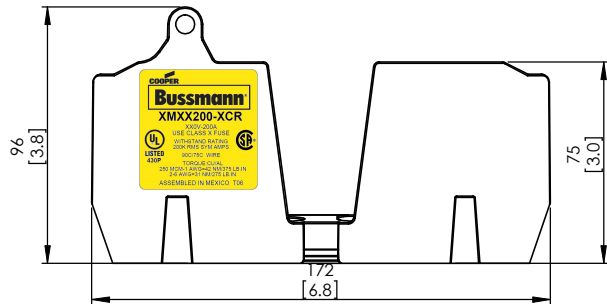
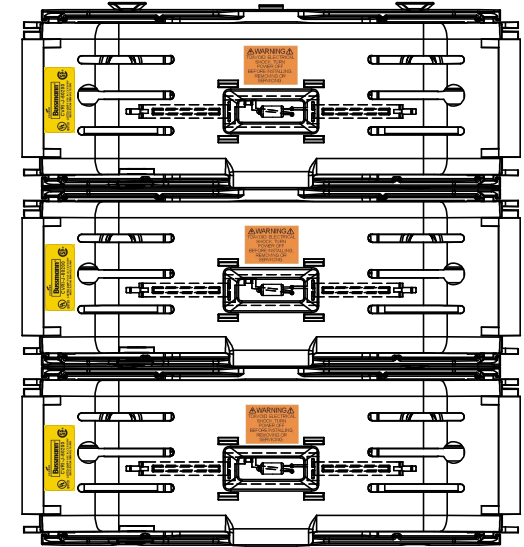
JM60200-3CR



**JM60200-3CR
WITH CVR-J-60200 INSTALLED**



**JM60200-3CR
WITH CVRI-J-60200 INSTALLED**



COOPER Bussmann
St. Louis MO 63178

TITLE:
Class J fuse holder-CUST

SCALE: 1:2 SIZE: A3 SHEET: 8 OF 14