

DASH NO	DESCRIPTION	DASH NO	DESCRIPTION
-1	TERM (NO CHAIN)	-12	TERM WITH 2.5 JACKETED STAINLESS STEEL ROPE
-2	TERM WITH 2.5 BRASS CHAIN	-13	TERM WITH 3.0 JACKETED STAINLESS STEEL ROPE
-3	TERM WITH 2.5 NYLON CHAIN	-14	TERM WITH 6.0 JACKETED STAINLESS STEEL ROPE
-4	TERM WITH 3.0 BRASS CHAIN	-15	TERM WITH 4.0 JACKETED STAINLESS STEEL ROPE
-5	TERM WITH 3.0 NYLON CHAIN	-16	TERM WITH 7.0 JACKETED STAINLESS STEEL ROPE
-6	TERM WITH 6.0 BRASS CHAIN	-17	TERM WITH 4.5 JACKETED STAINLESS STEEL ROPE
-7	TERM WITH 6.0 NYLON CHAIN	-18	TERM WITH 12.0 JACKETED STAINLESS STEEL ROPE
-8	TERM WITH 4.0 BRASS CHAIN	-19	TERM WITH 18.0 JACKETED STAINLESS STEEL ROPE
-9	TERM WITH 4.0 NYLON CHAIN		
-10	TERM WITH 10.0 BRASS CHAIN		
-11	TERM WITH 10.0 NYLON CHAIN		

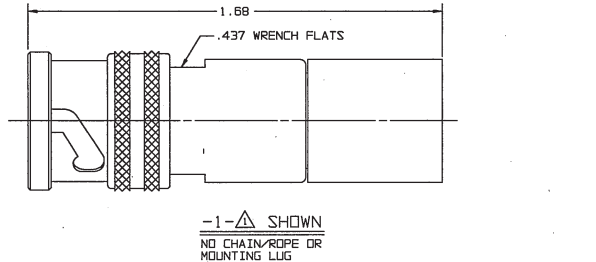
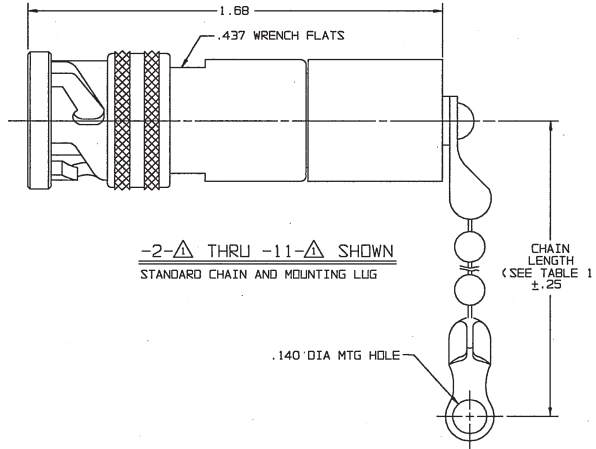
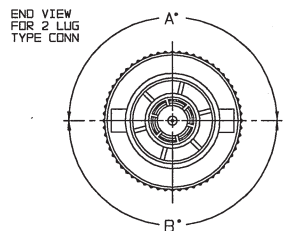
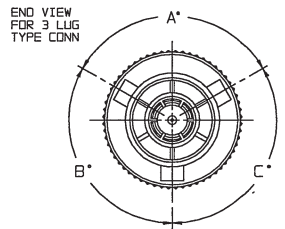
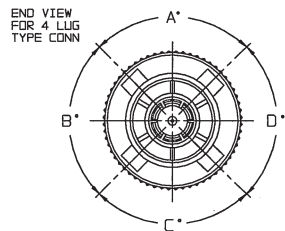
MODEL NO	TYPE CONN	POLARIZATION			
		A DEGREE	B DEGREE	C DEGREE	D DEGREE
TNG1	3 LUG	120°	120°	120°	---
TNGFL1	4 LUG	90°	90°	90°	90°
TNGTL1	2 LUG	180°	180°	---	---
TNGIT	3 LUG	100°	150°	110°	---
TNGIU		120°	130°	110°	---
TNGIV		115°	130°	115°	---
TNGIW		125°	110°	125°	---
TNGIX		130°	100°	130°	---
TNGIY		110°	140°	110°	---
TNGIZ		100°	160°	100°	---
TNGIS	135°	135°	90°	---	

DASH NO	"A" DIA	"B" DIA	"C" DIM	"D" DIM
-01	.755	.875	1.191	.512
-02	.630	.750	1.066	.450
-03	.505	.625	.941	.388
-04	.439	.562	.878	.355
-05	.380	.500	.816	.325
-06	.317	.437	.753	.295
-07	.281	.406	.722	.278
-08	.610	.750	1.066	.450
-09	.567	.687	1.003	.419
-010	.192	.312	.628	.231
-008	.330	.450	.766	.300

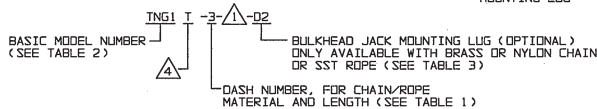
DATA CONTAINED IN THIS DOCUMENT IS PROPRIETARY TO TROMPETER ELECTRONICS, INC. AND SHALL NOT BE DISCLOSED, COPIED OR USED FOR REQUIREMENT OF MANUFACTURE WITHOUT EXPRESS WRITTEN PERMISSION OF TROMPETER ELECTRONICS, INC.

REVISIONS		310-0033	SH 1C
REV	DESCRIPTION	DATE	APPROVED
AG	REVISED PER ECD 16890	4/1/09	MALC

RED INDICATES ORIGINAL



3. EXAMPLE OF COMPLETE MODEL NUMBER:

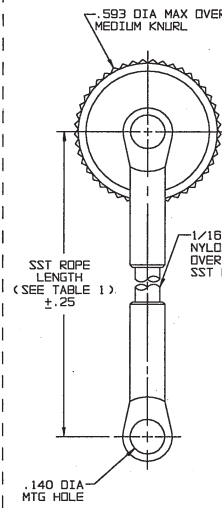


2. 2, 3 AND 4 LUG CONCENTRIC TWINAX/TRIAX TERMINATION PLUG WITH CHAIN, SST ROPE AND MOUNTING LUG OPTIONS

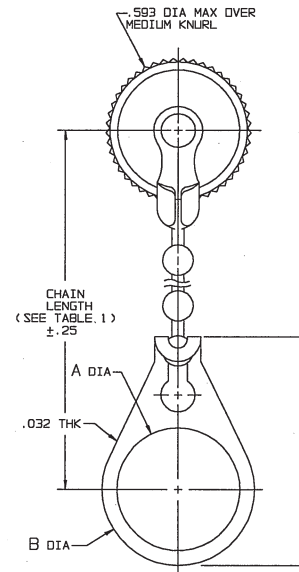
RESISTANCE VALUE IN OHMS, 1/2W, 1%.  
 \*S\* = CONTACT SHORTED TO INNER SHIELD (NO RESISTOR)  
 \*0\* = LOOSELY ASSEMBLED (NO RESISTOR)

NOTE THAT LENGTH FOR SST ROPE WITH MOUNTING LUG OPTION IS NOT MEASURED TO CENTER OF BULKHEAD MOUNTING LUG

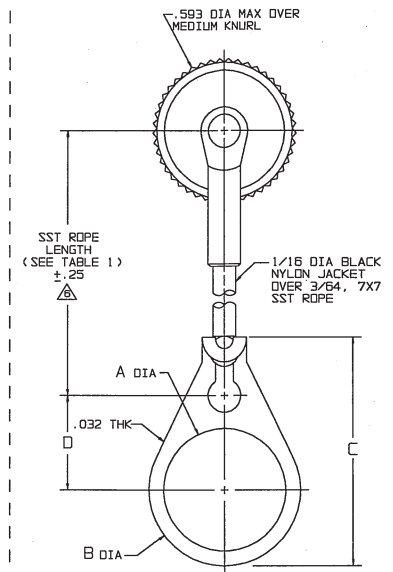
POLARIZATION LETTER: NONE REQUIRED FOR STANDARD POLARIZATION LETTER CODE (SEE TABLE 2)



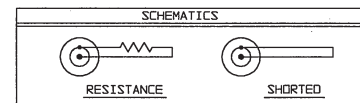
-12- THRU  
 -19- SHOWN  
 STANDARD CHAIN AND BULKHEAD JACK MOUNTING LUG



-2- -01 THRU  
 -11- -008 SHOWN  
 STAINLESS STEEL ROPE AND BULKHEAD JACK MOUNTING LUG



-12- -01 THRU  
 -19- -008 SHOWN  
 STAINLESS STEEL ROPE AND BULKHEAD JACK MOUNTING LUG



DRAWN: L.M. CHECKED: M.J. DATE: 3-24-09 QUALITY: 3-30-09 RANK: APPROVED: [Signature] FILE NO: 310-0033AG	TITLE: TNG1/TNGFL1/TNGTL1/TNGIT;U,V,W,X,Y,Z & S SIZE: A 14949 CAGE CODE: 310-0033 DRAWING NO.: 310-0033 DATE: 7-15-66 SCALE: 4/1 SHEET: 1C	
DIMENSIONS UNLESS SPECIFIED: .XX ± .02 .XXX ± .010 .XXXX ± .005 ANGLES UNLESS OTHERWISE SPECIFIED	MATERIAL: FINISH: DO NOT SCALE DIM	REV. 1C