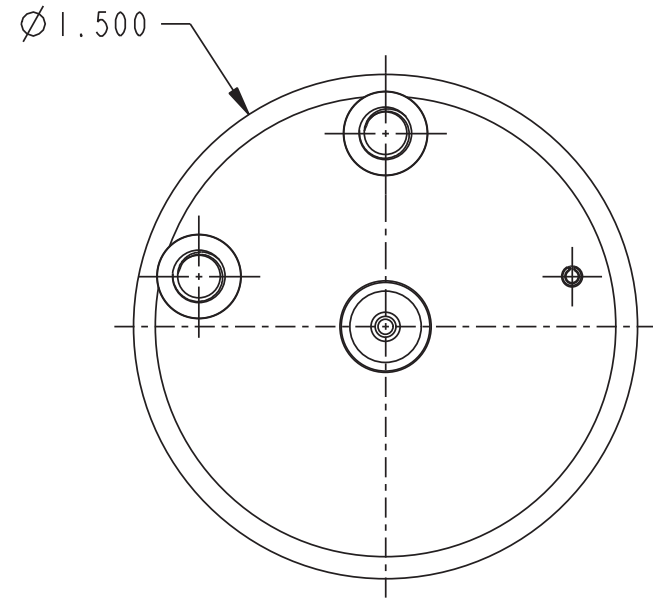
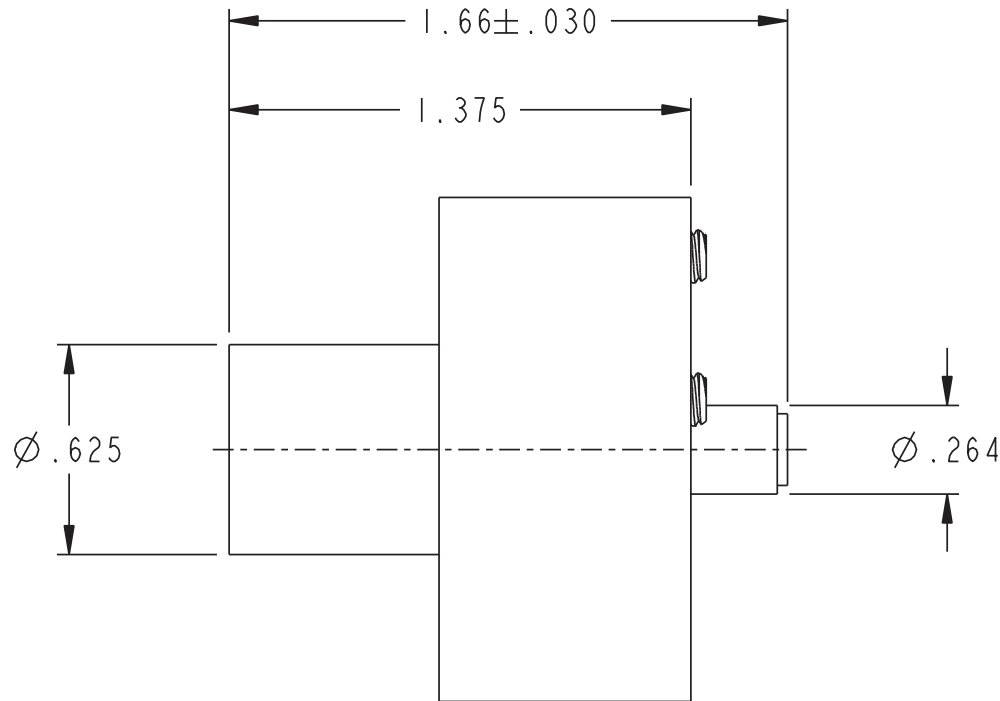
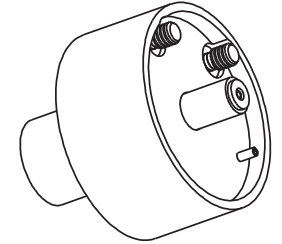


DATA CONTAINED IN THIS DOCUMENT IS PROPRIETARY TO EMERSON CONNECTIVITY SOLUTIONS AND SHALL NOT BE DISCLOSED, COPIED OR USED FOR PROCUREMENT OR MANUFACTURE WITHOUT EXPRESS WRITTEN PERMISSION


**REVISIONS**

REV	DESCRIPTIONS	DATE	APPROVED
D	ECO 53433	6/28/11	B. RYAN



1. FINISH: BODY: CLEAR ANODIZE  
LOCATOR: SILICONE PROTECTANT

NOTES: UNLESS OTHERWISE SPECIFIED.

INTERPRET DRAWING PER MIL-STD-100. DIMENSIONS ARE IN INCHES AND INCLUDE FINISH THICKNESS UNLESS OTHERWISE SPECIFIED.		TOL: UNLESS SPECIFIED. .XX ± .02 .XXX ± .010 ANGLE ± 1°		 Cinch Connectivity Solutions 299 Johnson Ave. Ste. 100 Waseca, MN 56093 1-800-247-8256
DRN C. WALLACE	7/16/11	MATERIAL:		
CHK B. RYAN	7/18/11	FINISH:		TITLE: POSITIONER, PIN CONTACT, 70 SERIES FULL CRIMP, MALE (M22520/1-01)
QUALITY		SIZE	CAGE CODE	DRAWING NO.
MANUF		<b>A</b>	<b>14949</b>	010-0044
APPROVED		SCALE	DATE	REV.
SURFACE AREA	PROJ. FILE NO. 010-0044	DO NOT SCALE DWG	2/1	11/24/86
				D
				SHEET 1 OF 3