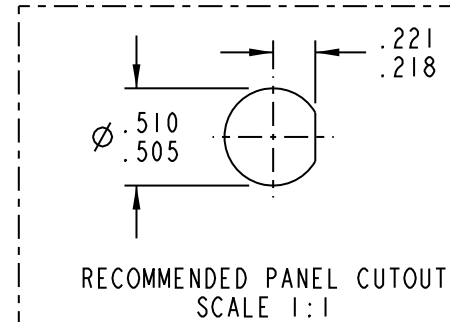
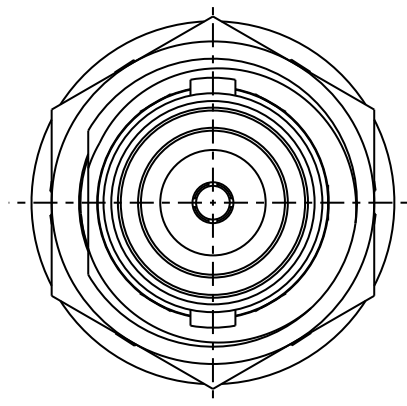
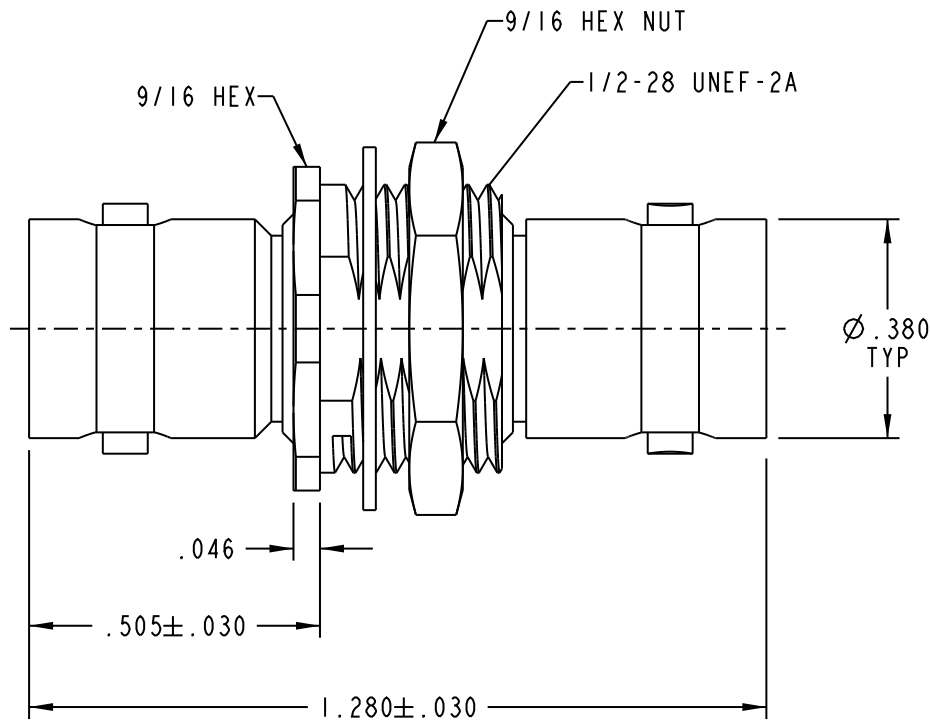


| DASH # | MODEL # | IMPEDANCE Ω |
|--------|---------|--------------------|
| -1 | BJ28 | 50 |
| -2 | UBJ28 | 75 |

DATA CONTAINED IN THIS DOCUMENT IS PROPRIETARY TO EMERSON CONNECTIVITY SOLUTIONS AND SHALL NOT BE DISCLOSED, COPIED OR USED FOR PROCUREMENT OR MANUFACTURE WITHOUT EXPRESS WRITTEN PERMISSION

| REVISIONS | | | |
|-----------|--------------|---------|-----------|
| REV | DESCRIPTIONS | DATE | APPROVED |
| U | ECO 53008 | 1-26-11 | T. KOHLER |




3. SOCKET CONTACT COAXIAL BNC TYPE INSULATED FEED THRU BULKHEAD JACK, 50 AND 75 OHM VERSIONS

2. MAX PANEL THK .156

1. FINISH: NICKEL

NOTES: UNLESS OTHERWISE SPECIFIED.

| | | | | | |
|--|--------------------------|--|--------------------------|--|-----------------------|
| INTERPRET DRAWING PER MIL-STD-100. DIMENSIONS ARE IN INCHES AND INCLUDE FINISH THICKNESS UNLESS OTHERWISE SPECIFIED. | | TOL: UNLESS SPECIFIED. .XX ± .XXX ± .005 .XXXX ± ANGLE ± CRITICAL | |  Cinch Connectivity Solutions 299 Johnson Ave. Ste. 100 Waseca, MN 56093 1-800-247-8256 | |
| DRN B. RYAN | 4-18-11 | MATERIAL: | TITLE: BJ28/UBJ28 | | |
| CHK T. KOHLER | 4-19-11 | FINISH: | SIZE A | CAGE CODE 14949 | DRAWING NO. 1-0133 |
| QUALITY | | | SCALE 3/1 | DATE 9-15-66 | REV. U |
| MANUF | | DO NOT SCALE DWG | SHEET 1 | OF 2 | |
| APPROVED | | | | | |
| SURFACE AREA | PROJ TITLE NO. 1-0133 | | | | |