

DASH NO	DESCRIPTION	DASH NO	DESCRIPTION
-1	TERM (NO CHAIN)	-12	TERM WITH 2.5 JACKETED STAINLESS STEEL ROPE
-2	TERM WITH 2.5 BRASS CHAIN	-13	TERM WITH 3.0 JACKETED STAINLESS STEEL ROPE
-3	TERM WITH 2.5 NYLON CHAIN	-14	TERM WITH 6.0 JACKETED STAINLESS STEEL ROPE
-4	TERM WITH 3.0 BRASS CHAIN	-15	TERM WITH 4.0 JACKETED STAINLESS STEEL ROPE
-5	TERM WITH 3.0 NYLON CHAIN	-16	TERM WITH 7.0 JACKETED STAINLESS STEEL ROPE
-6	TERM WITH 6.0 BRASS CHAIN	-17	TERM WITH 4.5 JACKETED STAINLESS STEEL ROPE
-7	TERM WITH 6.0 NYLON CHAIN		
-8	TERM WITH 4.0 BRASS CHAIN		
-9	TERM WITH 4.0 NYLON CHAIN		
-10	TERM WITH 10.0 BRASS CHAIN		
-11	TERM WITH 10.0 NYLON CHAIN		

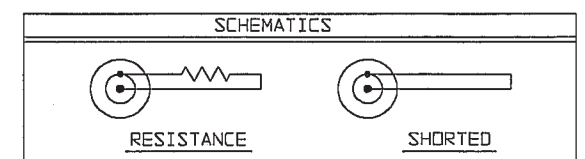
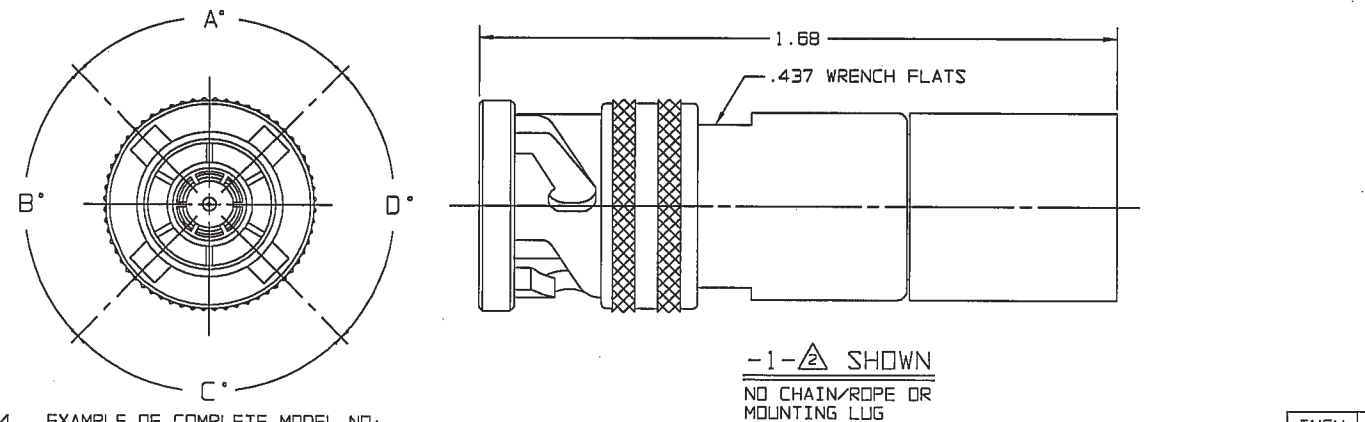
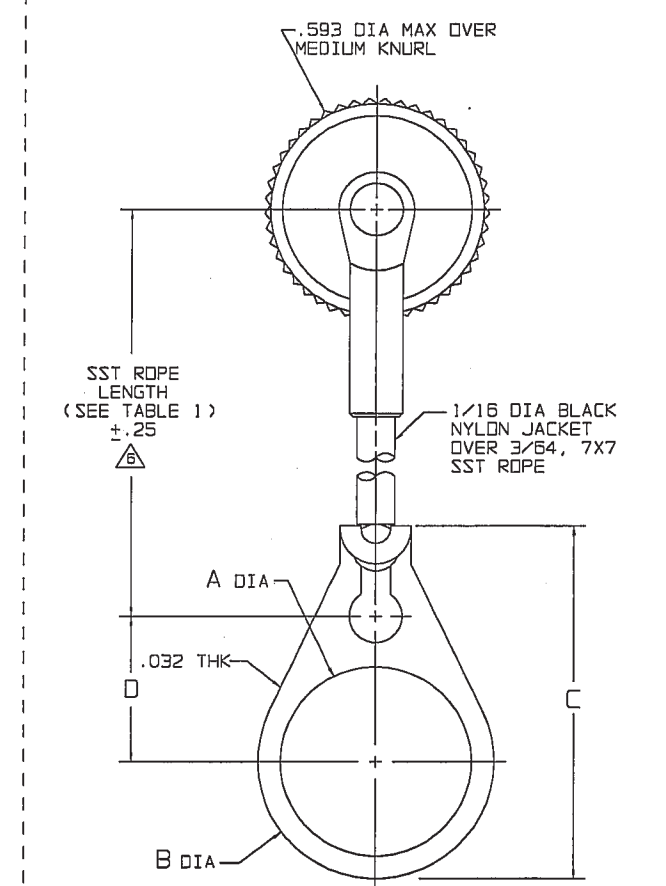
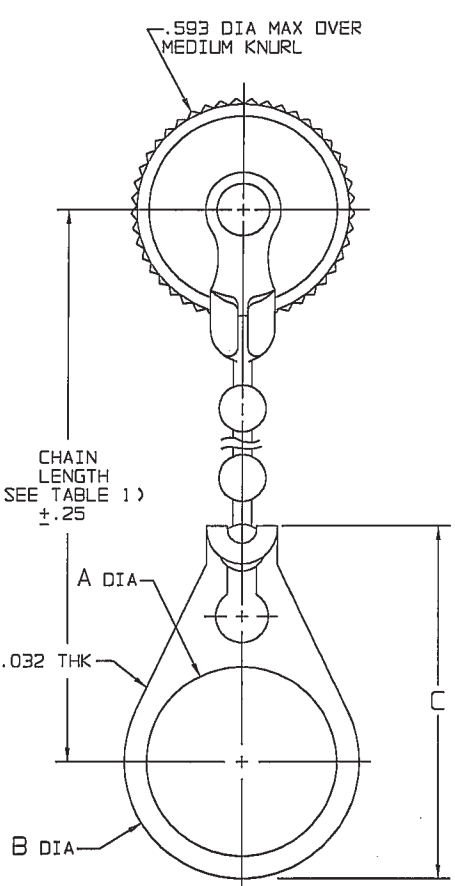
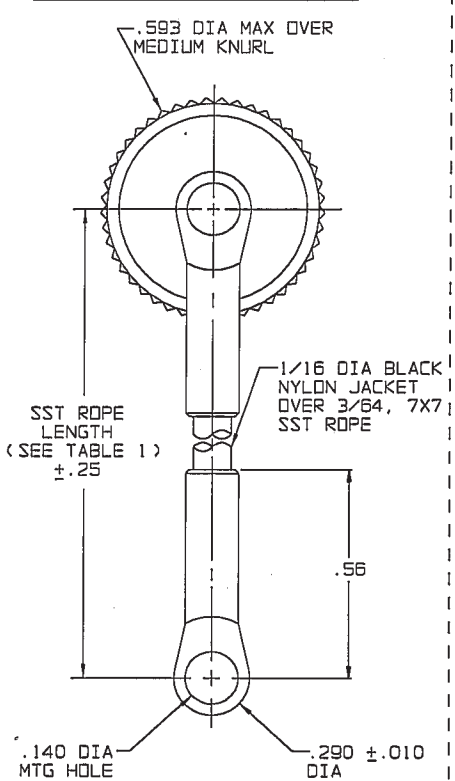
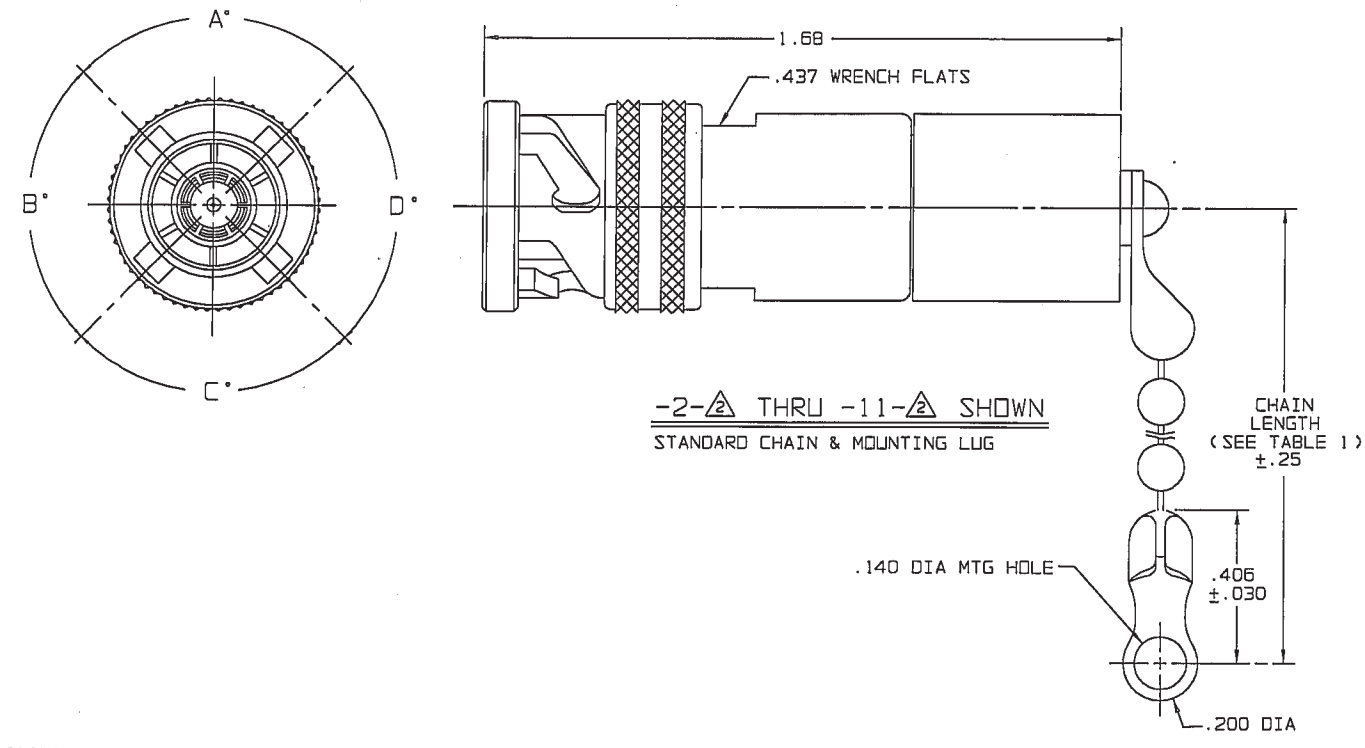
MODEL NO	TYPE CONN	POLARIZATION			
		A DEGREE	B DEGREE	C DEGREE	D DEGREE
TNG1	3 LUG	120°	120°	120°	—
TNGFL1	4 LUG	90°	90°	90°	90°
TNGTL1	2 LUG	180°	180°	—	—
TNG1T	3 LUG	100°	150°	110°	—
TNG1U		120°	130°	110°	—
TNG1V		115°	130°	115°	—
TNG1W		125°	110°	125°	—
TNG1X		130°	100°	130°	—
TNG1Y		110°	140°	110°	—
TNG1Z		100°	160°	100°	—
TNG1S		135°	135°	90°	—

DASH NO	"A" DIA	"B" DIA	"C" DIM	"D" DIM
-D1	.755	.875	1.191	.512
-D2	.630	.750	1.066	.450
-D3	.505	.625	.941	.388
-D4	.439	.562	.878	.355
-D5	.380	.500	.816	.325
-D6	.317	.437	.753	.295
-D7	.281	.406	.722	.278
-D8	.610	.750	1.066	.450
-D9	.567	.687	1.003	.419
-DD8	.330	.450	.766	.300

DATA CONTAINED IN THIS DOCUMENT IS PROPRIETARY TO TROMPETER ELECTRONICS INC. AND SHALL NOT BE DISCLOSED, COPIED OR USED FOR PROCUREMENT OR MANUFACTURE WITHOUT EXPRESS WRITTEN PERMISSION OF TROMPETER ELECTRONICS INC.

REVISIONS		310-0033	SH 1C
REV	DESCRIPTION	DATE	APPROVED
AF	REVISED PER ECO #14443	3-5-02	MM

RED INDICATES ORIGINAL



4. EXAMPLE OF COMPLETE MODEL NO:
 TNG1 T -3-△-D2
 BASIC MODEL NO (SEE TABLE 2)
 △ BULKHEAD JACK MOUNTING LUG (OPTIONAL) ONLY AVAILABLE WITH BRASS OR NYLON CHAIN OR SST ROPE (SEE TABLE 3)
 -3- DASH NO, FOR CHAIN/ROPE MATL & LENGTH (SEE TABLE 1)
 D2
 3. 2, 3 & 4 LUG CONCENTRIC TWINAX/TRIAX TERMINATION PLUG WITH CHAIN, SST ROPE AND MOUNTING LUG OPTIONS
 △ RESISTANCE VALUE IN OHMS, 1/2W, 1%
 "S" = CONTACT SHORTED TO INNER SHIELD (NO RESISTOR)
 "D" = LOOSELY ASSEMBLED (NO RESISTOR)
 1. ALL DIMENSION ARE IN INCHES

△ NOTE THAT LENGTH FOR SST ROPE WITH MOUNTING LUG OPTION IS NOT MEASURED TO CENTER OF BULKHEAD MOUNTING LUG
 △ POLARIZATION LETTER; NONE REQUIRED FOR STANDARD POLARIZATION LETTER CODE (SEE TABLE 2)

INCH	MM	INCH	MM	INCH	MM	INCH	MM	INCH	MM
.005	0.13	.295	7.49	.437	11.10	.625	15.88	1.003	25.48
.010	0.25	.300	7.62	.439	11.15	.630	16.00	1.066	27.08
.030	0.76	.317	8.05	.450	11.43	.687	17.45	1.68	42.67
.032	0.81	.325	8.26	.500	12.70	.722	18.34	2.5	63.50
.140	3.56	.330	8.38	.505	12.83	.750	19.05	3.0	76.20
.200	5.08	.355	9.02	.56	14.22	.753	19.13	4.0	101.60
.25	6.35	.380	9.65	.562	14.27	.766	19.46	4.5	114.30
.278	7.06	.388	9.86	.567	14.40	.816	20.73	6.0	152.40
.281	7.14	.406	10.31	.593	15.06	.878	22.30	7.0	177.80
.290	7.37	.419	10.64	.610	15.49	.941	23.90	10.0	254.00

INTERPRET DRAWING PER MIL-STD-100 DIMENSIONS ARE IN INCHES AND INCLUDE FINISH THICKNESS UNLESS OTHERWISE SPECIFIED

TOL: UNLESS SPECIFIED
 .XX ± .02
 .XXX ± .010
 .XXXX ANGLES

DRAWN PD DATE 2-19-02
 CHECKED 3-1-02
 DUAL 3-5-02
 HANDED 3/5/02
 APPROVED 3/4/02
 CAD FILE NO. 310-0033AE1

TITLE: TNG1/TNGFL1/TNGTL1/TNG1T,U,V,W,X,Y,Z & S

SIZE A CAGE CODE 14949 DRAWING NO. 310-0033 REV. AF

SCALE 4/1 DATE: 7-15-66 SHEET 1C

DO NOT SCALE DWG