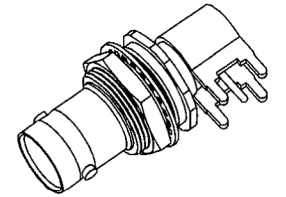
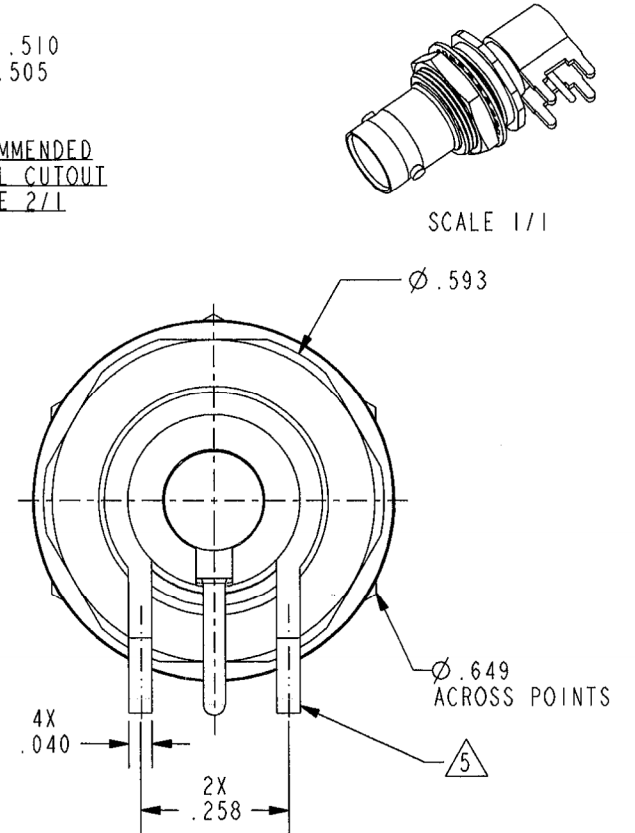
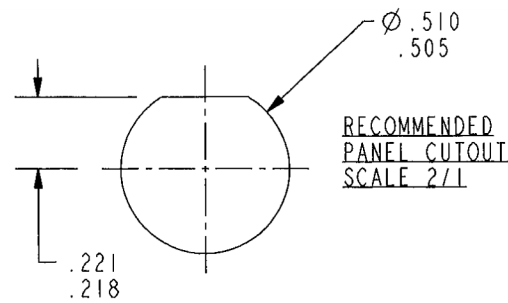
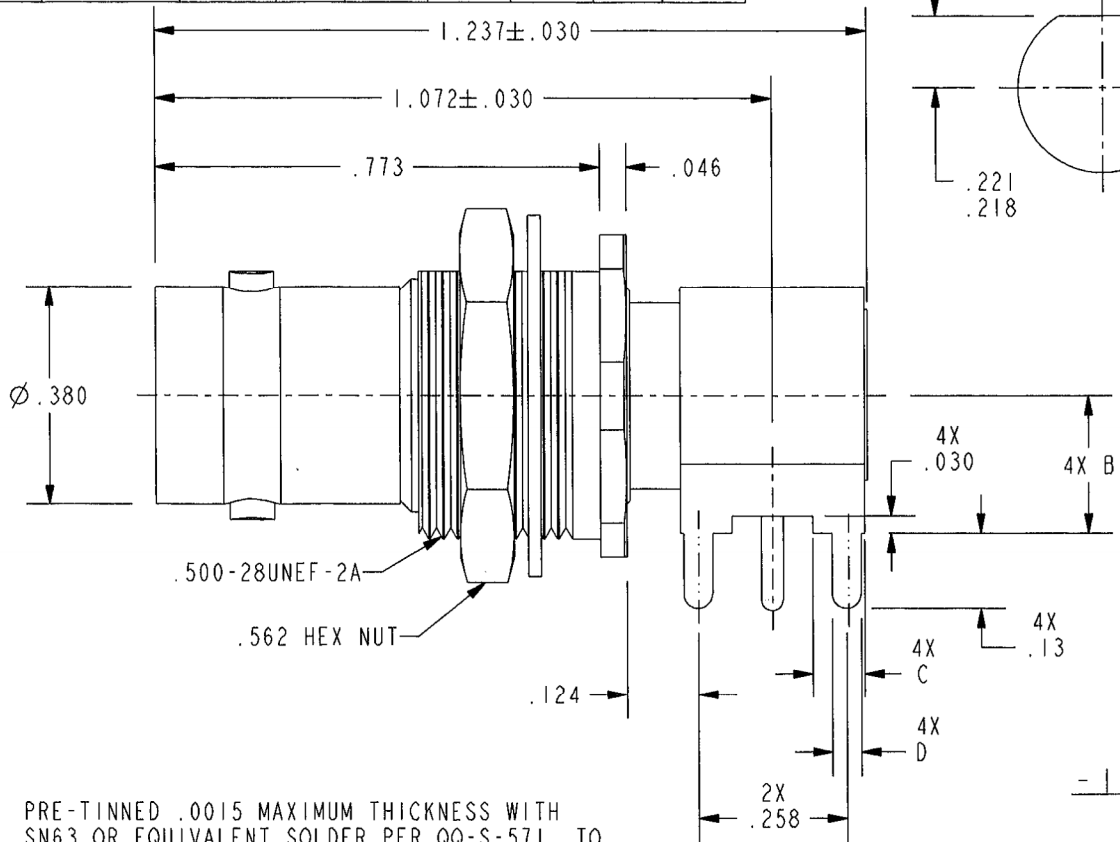


DASH NUMBER	MODEL NUMBER	LETTER CODE	IMPD Ω	A DIA	B DIM	C DIM	D DIM	E DIA
-1	CBBJR26	-----	50	.046	.24	.090	.050	.0625
-2	UCBBJR26		75	.029				
-3	CBBJR26A	A	50	.046	.34	.090	.058	.070
-4	UCBBJR26A		75	.029				

DATA CONTAINED IN THIS DOCUMENT IS PROPRIETARY TO TROMPETER ELECTRONICS INC. AND SHALL NOT BE DISCLOSED, COPIED OR USED FOR PROCUREMENT OR MANUFACTURE WITHOUT EXPRESS WRITTEN PERMISSION.

REVISIONS			
REV	DESCRIPTIONS	DATE	APPROVED
E	REVISED PER ECO 16623	7-18-08	Ramen



SCALE 1/1

- 1 SHOWN

RED INDICATES ORIGINAL

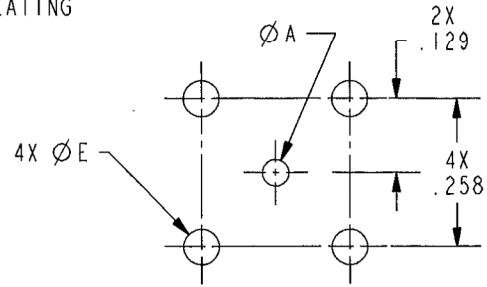
5 PRE-TINNED .0015 MAXIMUM THICKNESS WITH SN63 OR EQUIVALENT SOLDER PER QQ-S-571, TO WITHIN .060 MAXIMUM OF SHOULDER AFTER PLATING

- MAXIMUM PANEL THICKNESS .156
- EXAMPLE OF COMPLETE MODEL NUMBER:
CBBJR26 A
BASIC MODEL NUMBER LETTER CODE NUMBER

2. FINISH: TFS-1A (NICKEL)

1. 50 & 75 Ω RIGHT ANGLE CIRCUIT BOARD AND INSULATED BULKHEAD MOUNTING BNC RECEPTACLE

NOTES: UNLESS OTHERWISE SPECIFIED.



RECOMMENDED MOUNTING HOLE PATTERN SCALE 3/1

INTERPRET DRAWING PER MIL-STD-100. DIMENSIONS ARE IN INCHES AND INCLUDE FINISH THICKNESS UNLESS OTHERWISE SPECIFIED.		TOL: UNLESS SPECIFIED. .XX ± .02 .XXX ± .010 ANGLE ± 1°	
DRN N JOHNSON	5-15-08	MATERIAL:	TITLE:
CHK jm	6-25-08	FINISH:	U/CBBJR26/A
QUALITY			
MANUF			
APPROVED jm	7/17/08	SIZE	CAGE CODE
PROJ FILE NO.	1-0053	A	14949
NEXT ASSY		DRAWING NO.	1-0053
		REV.	E
		SCALE	3/1
		DATE	10-30-84
		SHEET	1C



U/CBBJR26/A

SIZE	CAGE CODE	DRAWING NO.	REV.
A	14949	1-0053	E
SCALE	3/1	DATE	10-30-84
		SHEET	1C