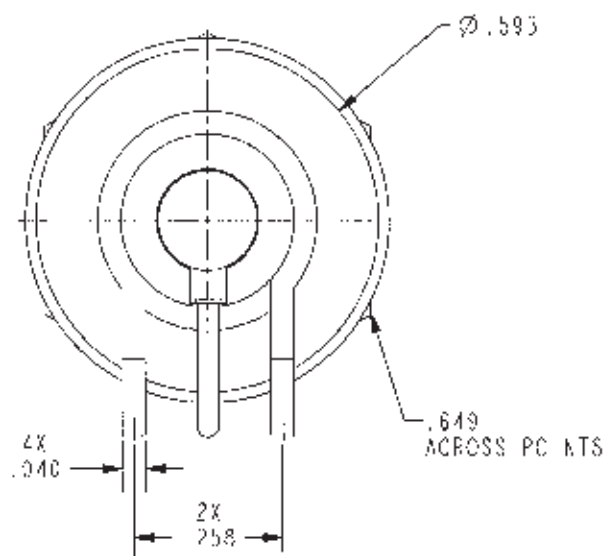
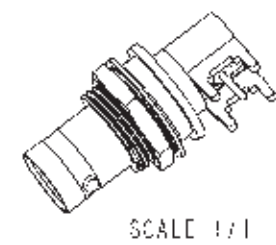
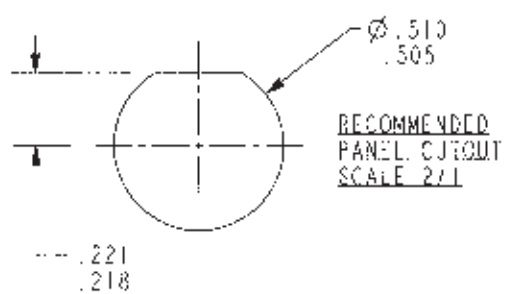
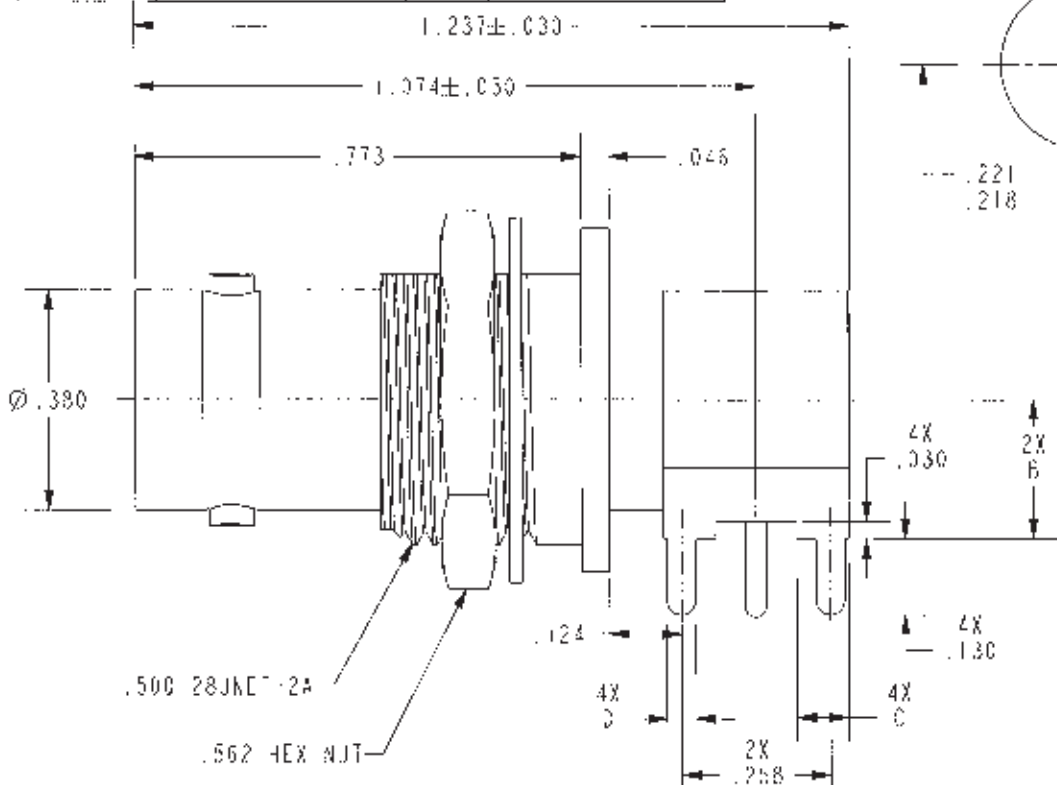


DASH NUMBER	MODEL NUMBER	LETTER CODE	IMPED Ω	A DIA	B DIM	C DIM	D DIM	F DIA
1	CBBJR29		50	.046	24	.090	.050	.0025
2	UCBBJR29		75	.029				
3	CBBJR29A	A	50	.046	.34	.090	.058	.010
4	UCBBJR29A		75	.029				

DATA CONTAINED IN THIS DOCUMENT IS PROPRIETARY TO TROMPETER ELECTRONICS INC. AND SHALL NOT BE DISCLOSED, COPIED OR USED FOR REPRODUCTION OR MANUFACTURE WITHOUT EXPRESS WRITTEN PERMISSION.

REVISIONS

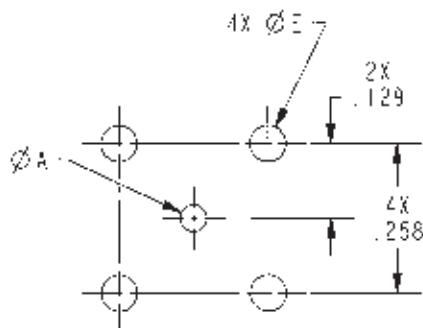
REV	DESCRIPTION	DATE	APPROVED
6	REVISED PER ECO 6629	7-18-08	CRAMOS



ALL SHOWN

RED INDICATES ORIGINAL

- MAXIMUM PANEL THICKNESS .179
- EXAMPLE OF COMPLETE MODEL NUMBER:
CBBJR29 A
BAS C MODEL NUMBER LETTER CODE
- FINISH: TFS-1A (NICKEL)
- 50 & 75 Ω RIGHT ANGLE CIRCUIT BOARD AND BULKHEAD MOUNTING BNC RECEPTACLE



RECOMMENDED MIG HOLE PATTERN SCALE 3/1

INTERPRET DRAWING PER MIL-STD-100 DIMENSIONS ARE IN INCHES AND INCLUDE FINISH THICKNESS UNLESS OTHERWISE SPECIFIED.		TOL. UNLESS SPECIFIED: XX + .02 XXX ± .000 ANGLES ± 1°			
DATE: 5-19-08	APPROVED: [Signature]	MATERIAL:	FINISH:		
DATE: 6-23-08	APPROVED: [Signature]	U/CBBJR29		SIZE - CAGE CODE: A 14949	DRAWING NO.: 1-0052
DATE: 7/17/08	APPROVED: [Signature]	DO NOT SCALE DIMS		SCALE: 3/1	DATE: 8-10-00
PART NAME: HEX ASSY		PROJ. FILE NO: -0052		SHEET: 10	

NOTES: UNLESS OTHERWISE SPECIFIED.