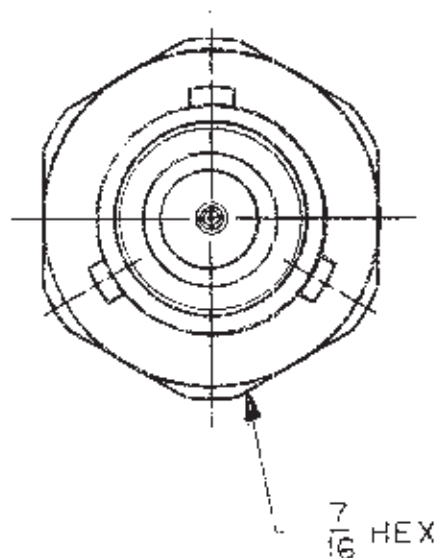
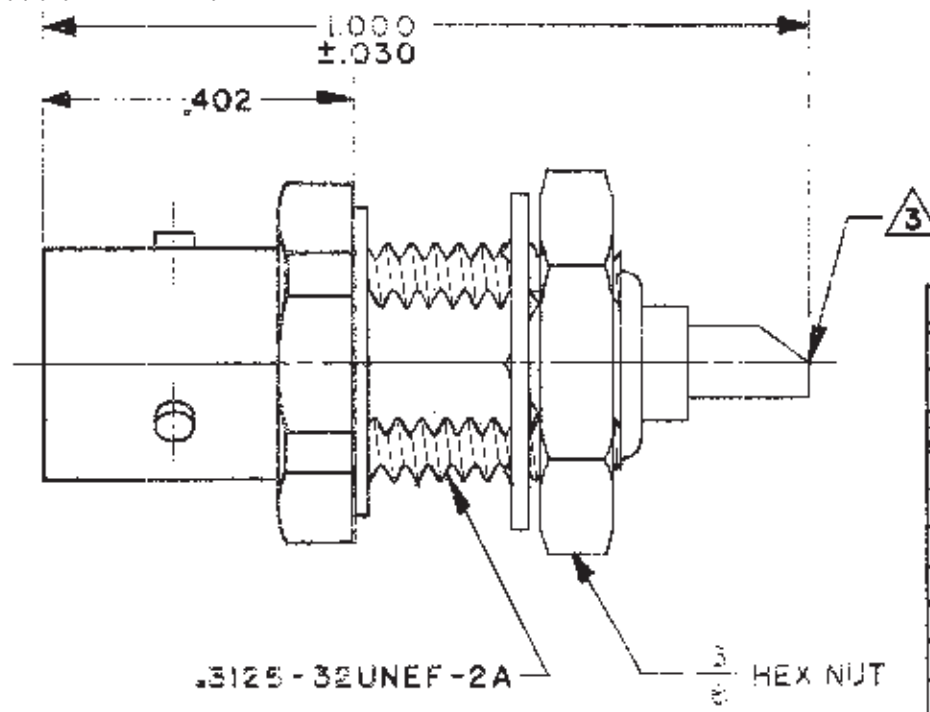


**RECOMMENDED
PANEL CUTOUT**
SCALE: 2/1



REVISIONS				1000-0403	SH :
REV	EO	DESCRIPTION	DWN	APPROVED	DATE
A	2465	MODEL WAS BU-57	MCW	<i>[Signature]</i>	7-2-73
B	2800	FINISH WAS TFS-1B (GOLD)	POB	<i>[Signature]</i>	3-12-75
C	2908	REV PL ITEMS 5 & 6 PN	CU	<i>[Signature]</i>	7-8-75
D	3366	ITEM 4PN WAS 8000-1274	CU	<i>[Signature]</i>	7-8-76
E	7239	3/8 HEX WAS 7/16 HEX	CKH	F3 <i>[Signature]</i>	9-29-86



INCH	MM
.005	0.13
.030	0.76
.039	0.99
.218	5.54
.281	7.14
.285	7.24
.317	8.05
.321	8.15
.402	10.21
1.000	25.40

- 5. MAX PNL THK .218
- 4. TPS SOLDER POT BULKHEAD MOUNT JACK

3 SOLDER POT ACCEPTS .039 DIA CONDUCTOR

- 2. FINISH: TFS-1A (NICKEL)
- 1. ALL DIM ARE IN INCHES

6000-0835	
6000-0216	
NEXT ASSY	

QTY	DESCRIPTION	PART NUMBER	ITEM
TOL UNLESS SPECIFIED .XX ± .XXX ±.005 .XXXX ± ANGLES ±			
DWN	JKR 7-10-73		
CHK	<i>[Signature]</i> 8-29-73		14949
ENGR	<i>[Signature]</i> 9-7-73		
APPR	<i>[Signature]</i> 11-73	SCALE 4/1	DATE 9-11-73
		DRAWING NO.	REV
		1000-0403	E
		SHEET 1 OF 2	