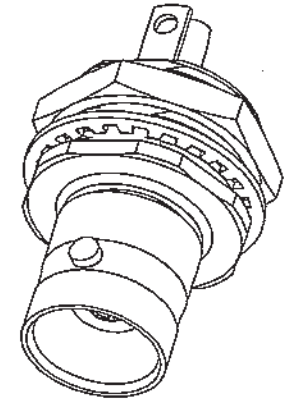
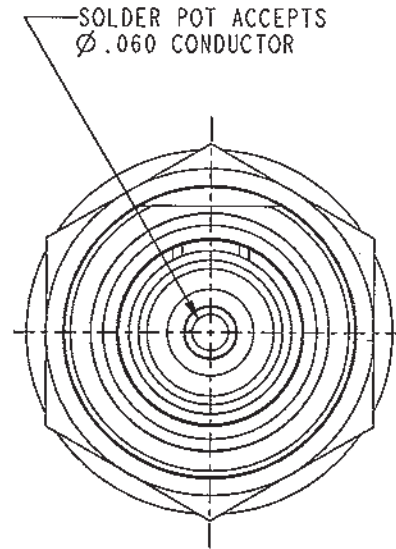
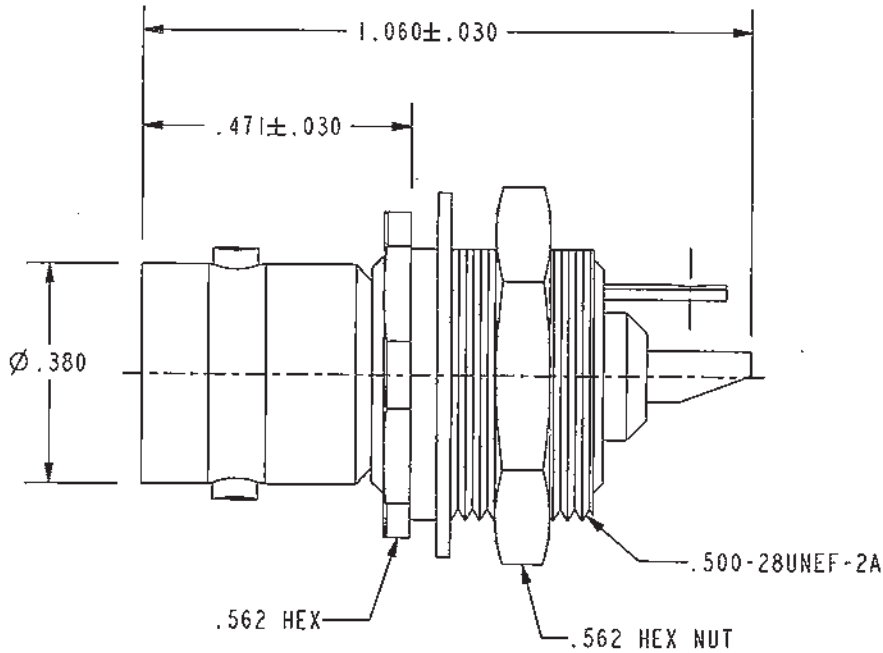


DASH NO	MODEL NO	IMPEDANCE (Ω)
-1	BJ27	50
-2	UBJ27	75

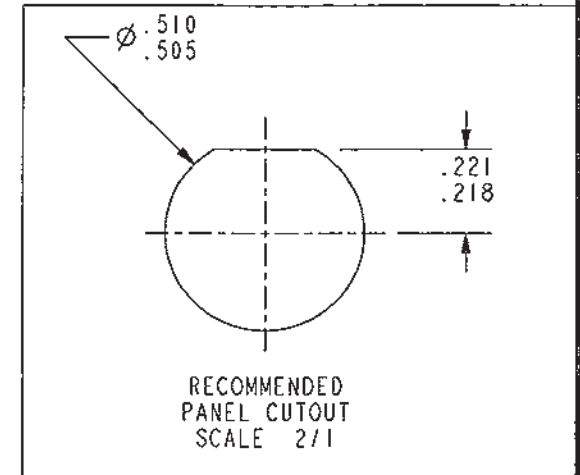
DATA CONTAINED IN THIS DOCUMENT IS PROPRIETARY TO TROMPETER ELECTRONICS INC. AND SHALL NOT BE DISCLOSED, COPIED OR USED FOR PROMOTION OR MANUFACTURE WITHOUT EXPRESS WRITTEN PERMISSION.

REVISIONS			
REV	DESCRIPTIONS	DATE	APPROVED
Y	REVISED PER ECO #14680	8-22-02	AM.



SCALE 2/1

- 1 SHOWN



RECOMMENDED
PANEL CUTOUT
SCALE 2/1

RED INDICATES ORIGINAL

3. MAX PANEL THICKNESS: .147
2. FINISH: TFS-1A (NICKEL)
1. 50 Ω & 75 Ω COAXIAL BNC INSULATED SOLDER POT BULKHEAD MOUNT RECEPTACLE

NOTES: UNLESS OTHERWISE SPECIFIED.

INTERPRET DRAWING PER MIL-STD-100. DIMENSIONS ARE IN INCHES AND INCLUDE FINISH THICKNESS UNLESS OTHERWISE SPECIFIED.		TOL: UNLESS SPECIFIED. .XX ± .02 .XXX ± .010 ANGLE ± 1°	
DRW	PD 8-20-02	MATERIAL:	TITLE:
CHK	JLM 8-21-02	FINISH:	BJ27/UBJ27
QUALITY	8/22/02	SEE NOTE 2	SIZE
MANU	8/22/02		CAGE CODE
APPROVED	8/21/02		DRAWING NO.
PROJ FILE NO.	1-0132	DO NOT SCALE DWG	SCALE
NEXT ASSY			DATE
			SHEET
			OF 2

TROMPETER
RF connectivity
a cinch connectivity solutions brand

SIZE	CAGE CODE	DRAWING NO.	REV.
A	14949	1-0132	Y
SCALE	DATE	SHEET	OF 2
5/1	10-24-72	1	2