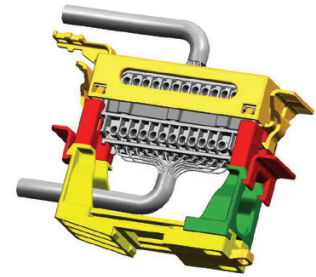
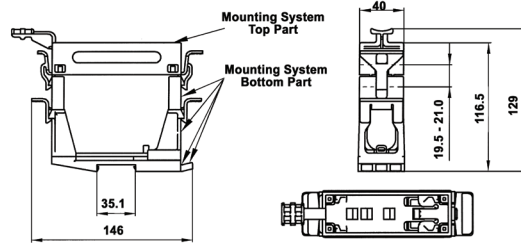
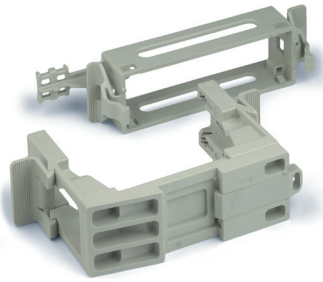
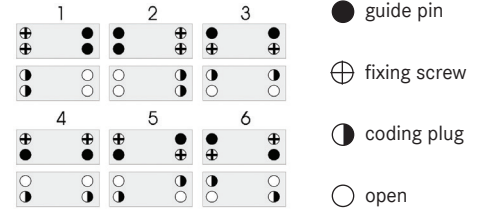


EPIC® QUICK & EASY DIN rail mounting system



all dimensions are in mm

The EPIC® QUICK & EASY system greatly simplifies mounting a wide range of EPIC® connectors onto standard DIN rail without the added cost of housings. The system can be purchased as one complete unit or the upper and lower portions can be purchased separately. The upper portions come in 4 different sizes to accommodate EPIC® HBE, HEE, HBS, HDVE, HD, HDD & Modular (MC) contact inserts. The bottom portion of the system adjusts to accommodate 4 sizes. The system components lock in place via snap hooks and are directly mateable with existing systems. The slider latch allows for quick removal and attachment of the base from the DIN rail for wiring. Also, the unit can be labeled in three places with printed or handwritten labels. A special coding set with key pin allows for coding of the inserts to prevent mismatching side-by-side connectors.



Complete the installation



Coding set (pack of 50): 10028000



Insert removal tool: 10028100

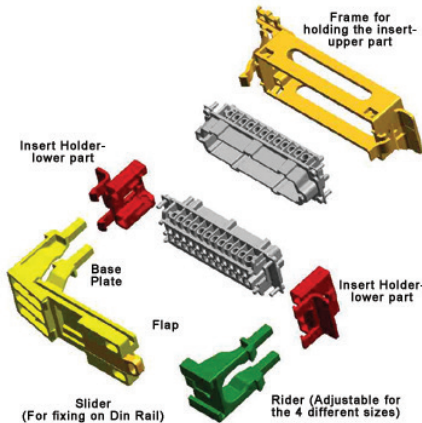
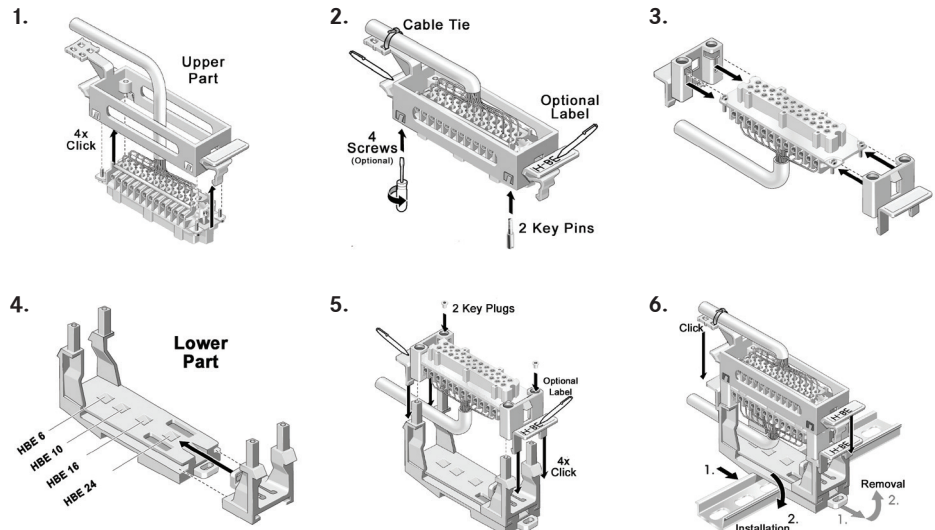
Technical data

Locking device:	for DIN rail acc. to DIN EN 50022	Temperature range:	-40°C to +125°C
Material:	gray phosphorus- & halogen-free polycarbonate	Combustibility class:	V-0 per UL 94

Part number	Size
Complete system	
10027000	HB 6
10027100	HB 10
10027200	HB 16
10027300	HB 24
Upper part only	
10027410	HB 6
10027510	HB 10
10027610	HB 16
10027710	HB 24
Lower part only	
10027810	HB 6 - 24

Size	For EPIC® inserts						
	HBE	HEE	HBS	HBVE	HD	HDD	MC
HB 6	HBE 6	HEE 10	—	—	—	HDD 24	MC 2
HB 10	HBE 10	HEE 18	—	HBVE 3	—	HDD 42	MC 3
HB 16	HBE 16	HEE 32	HBS 6	HBVE 6	HD 40	HDD 72	MC 5
HB 24	HBE 24	HEE 46	—	HBVE 10	HD 64	HDD 108	MC 7

six easy steps: click – snap – ready!



If not otherwise specified, all values relating to the product are nominal values. Photographs are not to scale and are not true representations of the products in question.