



Datasheet

RS PRO Grey PVC Open Slotted Trunking

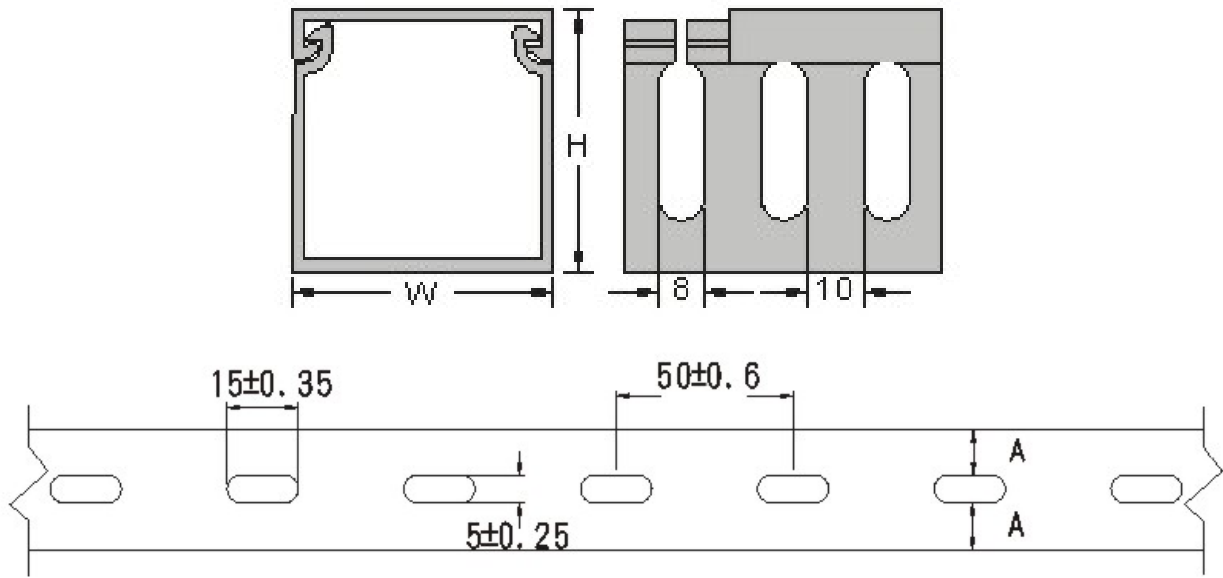
Stock number: 758-9272 758-9276 758-9279 758-9282 758-9285 758-9288
758-9291 758-9294 758-9298 758-9301 758-9308

EN



SPECIFICATION

- **Material:** High impact, warp-proof PVC , self-extinguishing .
- **UL approved 94V-0.**
- **Color:** Grey
- **Maximum service temperature:** 85°C
- **Test to UL file E97527 up to 50°C.**
- **Supplied complete with cover.**
- **These devices are for routing of wires within devices in factory installations.**
- **Features parallel holes on both sidewalls to facilitate cutting in wire application.**
- **Easy to insert, adding or removing wires - even with terminations attached.**
- **Save your total cost for during installation, wire tracing and circuit troubleshooting.**



RS Article No	W(mm)	H(mm)	A	Slot	Length
758-9279	25	30	10	8mm	2M
758-9272	25	40	10		
758-9276	25	60	10		
758-9285	25	80	10		
758-9288	40	40	17.5		
758-9282	40	60	17.5		
758-9291	40	80	17.5		
758-9294	60	40	27.5		
758-9298	60	60	27.5		
758-9308	60	80	27.5		
758-9301	60	100	27.5		