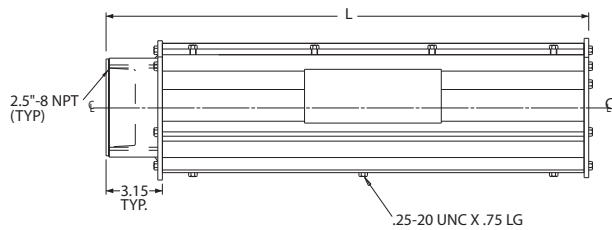
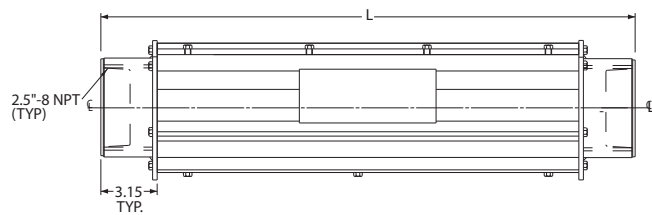


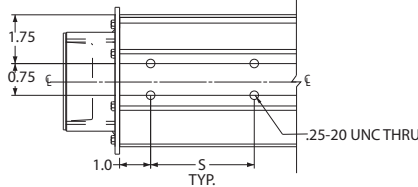
SINGLE-ENDED SIDE VIEW*



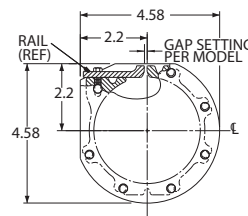
DOUBLE-ENDED SIDE VIEW**



* Air knives 30" and smaller
MOUNTING VIEW



CAPPED END VIEW



Specification	Units	Part/Model Number									
		AK06S060	AK12S060	AK18S060	AK24S060	AK30S060	AK36S060	AK42S060	AK48S060	AK54S060	AK60S060
		523489	523490	522949	523491	522950	523492	523493	523494	523495	523496
Length (L)	Inches	9.30	15.30	21.30	27.30	33.30	42.30	48.30	54.30	60.30	66.30
	mm	236.2	388.6	541	693.4	845.8	1074.4	1226.8	1379.2	1531.6	1684
Slot Length	Inches	6	12	18	24	30	36	42	48	54	60
	mm	152.4	304.8	457.2	609.6	762	914.4	1066.8	1219.2	1371.6	1524
Dimension S	Inches	4.00	10.00	16.00	22.00	28.00	17.00	20.00	23.00	26.00	29.00
	mm	101.6	254	406.4	558.8	711.2	431.8	508	584.2	660.4	736.6

Air Knives

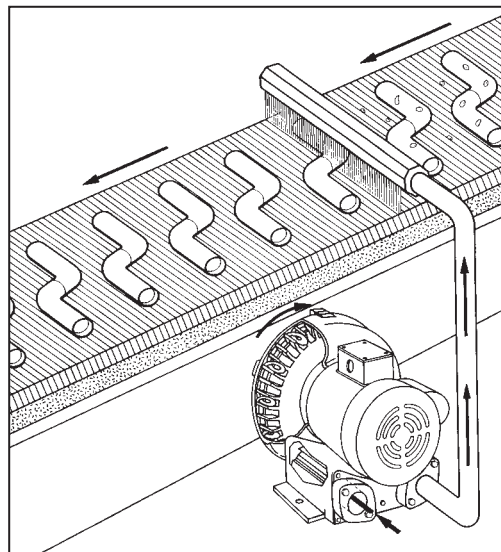
An Oil-free Blowing and Drying System
Custom-fit for Your Application

FEATURES:

- Lightweight aluminum plenum and rail, steel end cap, and cast-iron NPT flanges
- Engineered, extruded design to achieve 95% efficiency
- Adjustable slot (pre-set at 0.060") to control velocity from 5000-35000 fpm
- Custom cut lengths to fit system restraints
- Oil-free and lower cost alternative to compressed air for blow-off, solution blow-back, and drying applications

OPTIONS:

- Chemical resistant designs utilizing Chem-Tough™ chemically resistant surface conversion, stainless steel hardware, and nickel plated end caps and flanges
- Food processing grade designs utilizing Food-Tough™ sanitary treatment surface conversion, stainless steel hardware, and nickel plated end caps and flanges
- Deionizers for sterile environments available
- Mirror image single-ended models for above and below conveyor operation

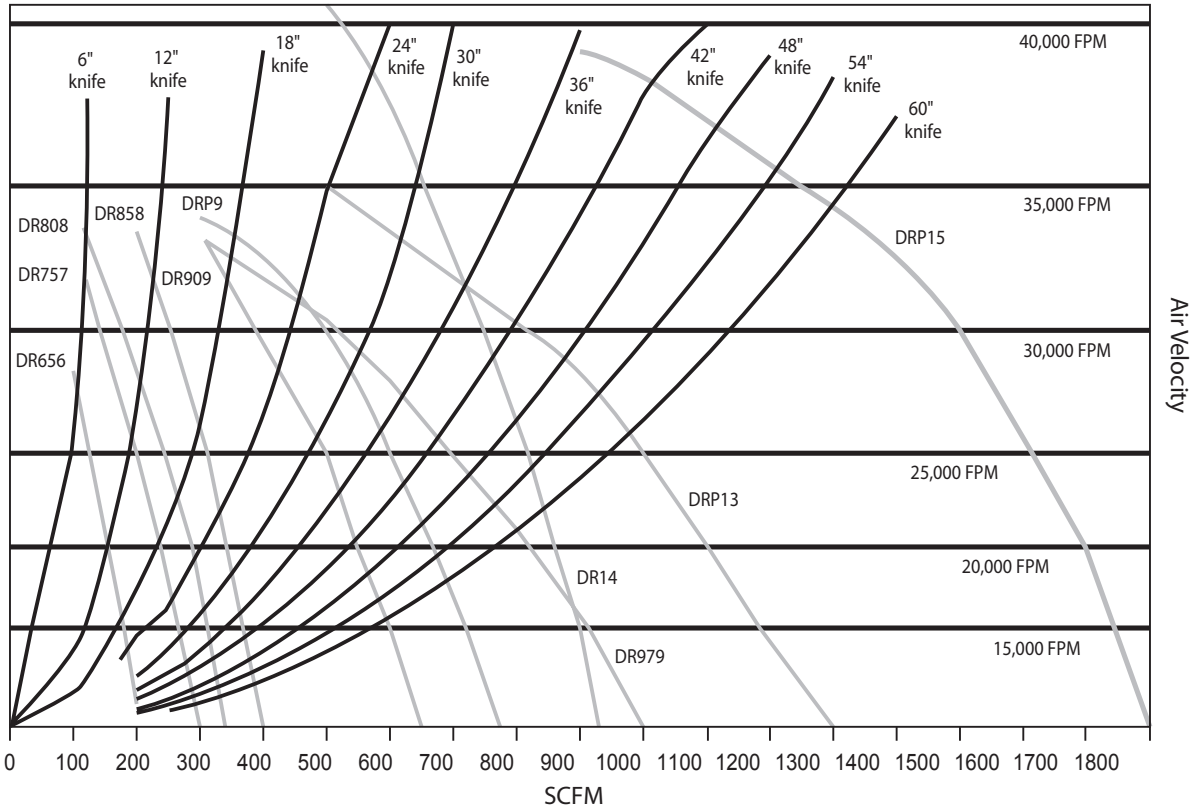


The ROTRON air knife is located at a strategic point in your assembly line conveyor belt area. Air flows from the blower into the air knife, where a sheet of air is directed out through a proprietary linear nozzle design onto assembly line parts. The opening can be altered to adjust the air-flow rate, thus varying blow-off velocity to meet your application requirements.

This document is for informational purposes only and should not be considered as a binding description of the products or their performance in all applications. The performance data on this page depicts typical performance under controlled laboratory conditions. AMETEK is not responsible for blowers driven beyond factory specified speed, temperature, pressure, flow or without proper alignment. Actual performance will vary depending on the operating environment and application. AMETEK products are not designed for and should not be used in medical life support applications. AMETEK reserves the right to revise its products without notification. The above characteristics represent standard products. For product designed to meet specific applications, contact AMETEK Technical & Industrial Products Sales department.



Precision Cleaning Air Knife and Blower Selection Chart



This document is for informational purposes only and should not be considered as a binding description of the products or their performance in all applications. The performance data on this page depicts typical performance under controlled laboratory conditions. AMETEK is not responsible for blowers driven beyond factory specified speed, temperature, pressure, flow or without proper alignment. Actual performance will vary depending on the operating environment and application. AMETEK products are not designed for and should not be used in medical life support applications. AMETEK reserves the right to revise its products without notification. The above characteristics represent standard products. For product designed to meet specific applications, contact AMETEK Technical & Industrial Products Sales department.

System - 5 Way, 3 Port, 2 Position Diverter Valve

These unique solenoid actuated diverter valves automatically change air piping from pressure to suction; greatly enhancing blower versatility and productivity. This valve is effective in blower applications that require frequent switching of air from pressure to suction and vice-versa. They are cost effective as applications normally requiring two blowers and/or intricate piping systems may be accomplished with one blower.

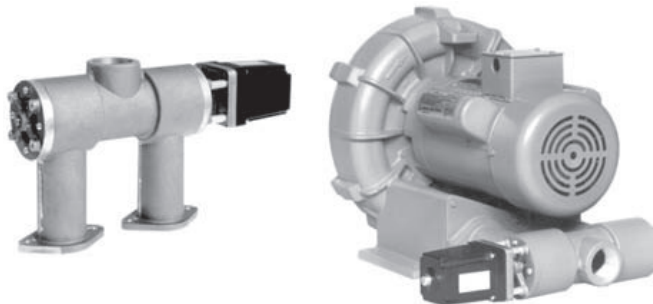
Diverter valves may be purchased as blower/valve assemblies, or as separate stand-alone valve assemblies for use in other switched air applications.

SPECIFICATIONS:

- Aluminum body and spool assembly
- 303 stainless steel shaft
- 115 V-60 Hz solenoid valve
- Over 1,000,000 cycle life expectancy

OPTIONS

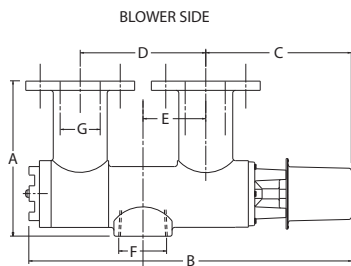
- Corrosion resistant surface treatments
- International voltage and frequency (Hz)
- Application specific designs



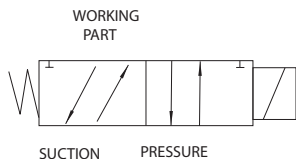
DR 505 BLOWER WITH DIVERTER VALVE

The principle behind ROTRON's diverter valve system is a simple one: Some applications such as vacuum part pick-up, air tables, and pneumatic tube systems require both vacuum and pressure in their equipment's operation, but not simultaneously. They eliminate the need for two separate blowers, and elaborate valving system, or cycling/reversing a spinning blower impeller. ROTRON's diverter valve changes the air passageways. By utilizing the side vent ports for incoming or outgoing air, the equipment/piping side of the valve changes from vacuum to pressure and back again by a signal sent to the solenoid coil.

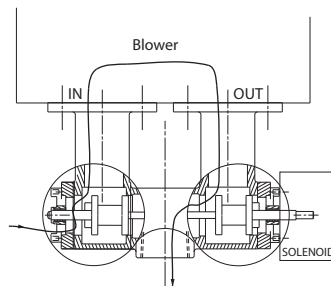
Specification	Units	Part/Model Number		
		515554	037435	037482
Description	-	DR404, DR454, DR505	DR6, DR808, DR858	DR6, DR808, DR858
Ref Blower Model	-	Small	Large	Large
Piping Flange	-	Threads	Threads	Threads
Blower Flange	-	Face	Threads	Face
Dimension A	Inches	7.65	9.25	9.25
	mm	194.3	235	235
Dimension B	Inches	14.22	23.39	23.39
	mm	361.2	594.1	594.1
Dimension C	Inches	7.14	10.93	10.93
	mm	181.4	277.6	277.6
Dimension D	Inches	2.50	3.55	3.55
	mm	63.5	90.2	90.2
Dimension E	Inches	5.00	7.10	7.10
	mm	127	180.3	180.3
Dimension F	Inches	1.50	2.50	2.50
	mm	38.1	63.5	63.5
Dimension G	Inches	1.50	2.50	2.50
	mm	38.1	63.5	63.5



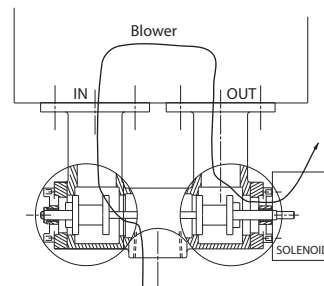
EQUIPMENT/PIPING SIDE
Consult factory for proper selection and application.



ISO VALVE DRAWING



"PRESSURE" AIR PATH
DE-ENERGIZED POSITION



"SUCTION" AIR PATH
ENERGIZED POSITION

This document is for informational purposes only and should not be considered as a binding description of the products or their performance in all applications. The performance data on this page depicts typical performance under controlled laboratory conditions. AMETEK is not responsible for blowers driven beyond factory specified speed, temperature, pressure, flow or without proper alignment. Actual performance will vary depending on the operating environment and application. AMETEK products are not designed for and should not be used in medical life support applications. AMETEK reserves the right to revise its products without notification. The above characteristics represent standard products. For product designed to meet specific applications, contact AMETEK Technical & Industrial Products Sales department.

ROTRON RELEASED BLOWERS WITH DIVERTER VALVE MOUNTED

Model *	Part No.	Mounted Components Diverter Valve	Manifold
DR353BR58MV	080757	515554	517077
DR404AL72MV	037749		
DR404AL58MV	037715		
DR454R72V	037605		529397
DR454R58V	037122		
DR505AS72MV	037709		
DR505AS58MV	037554	037482	517459
DR808AY72WV	080084		550667
DR858BB72WV	080085		



DIVERTER VALVE MANIFOLD

* Models listed below include diverter valve and manifold.

A = SPIRAL	E = DR/EN/CP 656, 6, 633, S7
B = DR/EN/CP 068, 083, 101, 202	F = DR/EN/CP 757, 808, 858, S9, P9 (Inlet Only)
C = DR/EN/CP 303, 312, 313, 353	G = DR/EN/CP 833, S13, P13 (Inlet Only)
D = DR/EN/CP 404, 454, 513, 505, 555, 523	H = DR/EN/CP 909, 979, 1233, 14, S15, P15 (Inlet Only)

This document is for informational purposes only and should not be considered as a binding description of the products or their performance in all applications. The performance data on this page depicts typical performance under controlled laboratory conditions. AMETEK is not responsible for blowers driven beyond factory specified speed, temperature, pressure, flow or without proper alignment. Actual performance will vary depending on the operating environment and application. AMETEK products are not designed for and should not be used in medical life support applications. AMETEK reserves the right to revise its products without notification. The above characteristics represent standard products. For product designed to meet specific applications, contact AMETEK Technical & Industrial Products Sales department.

Accessories

System - Air Flow Switch

FEATURES

- 8 air velocity ratings available in single pole double throw design.
- Interchangeable stainless steel actuating vanes, black enameled aluminum housing and cover, copper spring and pure silver contacts.
- SPDT5 amp 250 VAC
- 500,000 operations life expectancy
- Mounts on round and flat ducts with single screw
- SPDT5 amp 250 VAC
- Operates reliably in ambient temperatures of -35°C to +85°C.
- Weight: 4.5 oz (0.13kg)

quickly determine which vane size has the sensitivity rating required in any particular experimental set-up.

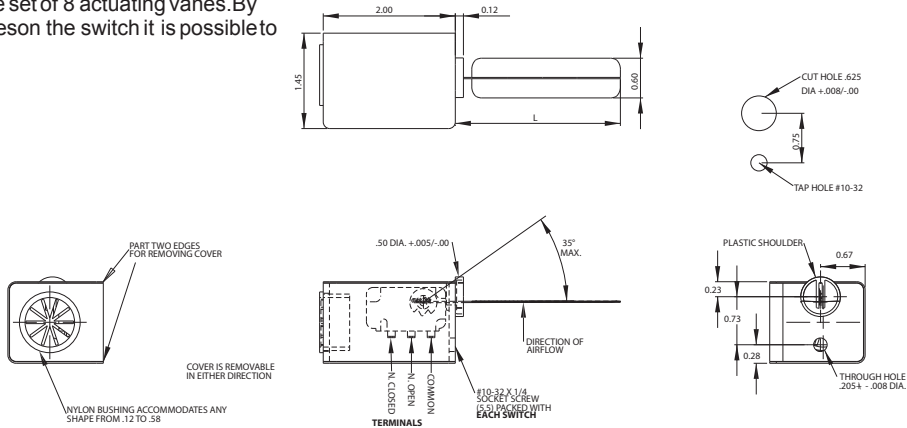
HOW IT WORKS

The ROTRON Air Flow Switch is actuated by air velocity rather than air pressure. It is designed for easy mounting on the outside of an air duct with a small lightweight stainless steel vane protruding through a hole in the duct into the airstream. A snap action switch is actuated when the velocity pressure against the vane moves it in the direction of the air flow. As the velocity of the airstream decreases for any reason the vane moves back towards its original position and the switch deactuates.

The switch can be used as an interlock for on-off purposes, or as a marginal safety device where the electrical contacts are operated at a predetermined minimum flow rate.

DETERMINATOR KIT - PART NO. 041100

In order to determine the best sensitivity rating, use the ROTRON Determinator Kit. The kit consists of a switch together with a complete set of 8 actuating vanes. By interchanging these vanes on the switch it is possible to



Specification	Units	Part/Model Number							
		AFS2C/1003	AFS2C/1353	AFS2C/1603	AFS2C/1803	AFS2C/2003	AFS2C/2453	AFS2C/3003	AFS2C/4003
		041101	041102	041103	041104	041105	041106	041107	041108
Max Length	Inches mm	2.50 63.5	1.91 48.5	1.63 41.4	1.41 35.8	1.09 27.7	0.91 23.1	0.78 19.8	0.72 18.3

Actuation/Deactuation Velocities (FPM / M/S)

Model	Part No.	Arm - Horizontal Airstream - Horizontal		Arm - Vertical Vane Down Airstream - Horizontal Horizontal Actuate		Arm - Horizontal Airstream - Vertical-Up		Arm - Horizontal Airstream - Vertical-Down	
		Actuate	Deactuate	Actuate	Deactuate	Actuate	Deactuate	Actuate	Deactuate
AFS 2C/1003	041101	735 (3.73)	630 (3.20)	750 (3.81)	615* (3.12)	785 (3.99)	700 (3.55)	NOT USABLE	NOT USABLE
AFS 2C/1353	041102	1025 (5.21)	970 (4.93)	1000 (5.08)	890 (4.52)	1125 (5.71)	1030 (5.23)	720* (3.66)	685* (3.48)
AFS 2C/1603	041103	1215 (6.17)	1095 (5.56)	1225 (6.22)	1130 (5.74)	1340 (6.81)	1212 (6.16)	1040 (5.28)	865* (4.39)
AFS 2C/1803	041104	1460 (7.42)	1335 (6.78)	1500 (7.62)	1375 (6.98)	1550 (7.87)	1450 (7.37)	1280 (6.50)	1115* (5.66)
AFS 2C/2003	041105	1790 (9.09)	1580 (8.02)	1760 (8.94)	1580 (8.02)	1800 (9.14)	1675 (8.51)	1595* (8.10)	1425* (7.24)
AFS 2C/2453	041106	2120 (10.77)	1867 (9.48)	2270 (11.53)	2035 (10.34)	2340 (11.89)	2120 (10.77)	2125 (10.79)	1950 (9.91)
AFS 2C/3003	041107	2690 (13.66)	2420 (12.29)	2420 (14.63)	2570 (13.05)	2925 (14.86)	2700 (13.71)	2780 (14.12)	2395 (12.17)
AFS 2C/4003	041108	3720 (18.90)	3485 (17.70)	3870 (19.66)	3520 (17.88)	4000 (20.32)	3680 (18.69)	3760 (19.10)	3565 (18.11)

NOTE: All figures are ±15% except: * denotes ±20%.

This document is for informational purposes only and should not be considered as a binding description of the products or their performance in all applications. The performance data on this page depicts typical performance under controlled laboratory conditions. AMETEK is not responsible for blowers driven beyond factory specified speed, temperature, pressure, flow or without proper alignment. Actual performance will vary depending on the operating environment and application. AMETEK products are not designed for and should not be used in medical life support applications. AMETEK reserves the right to revise its products without notification. The above characteristics represent standard products. For product designed to meet specific applications, contact AMETEK Technical & Industrial Products Sales department.