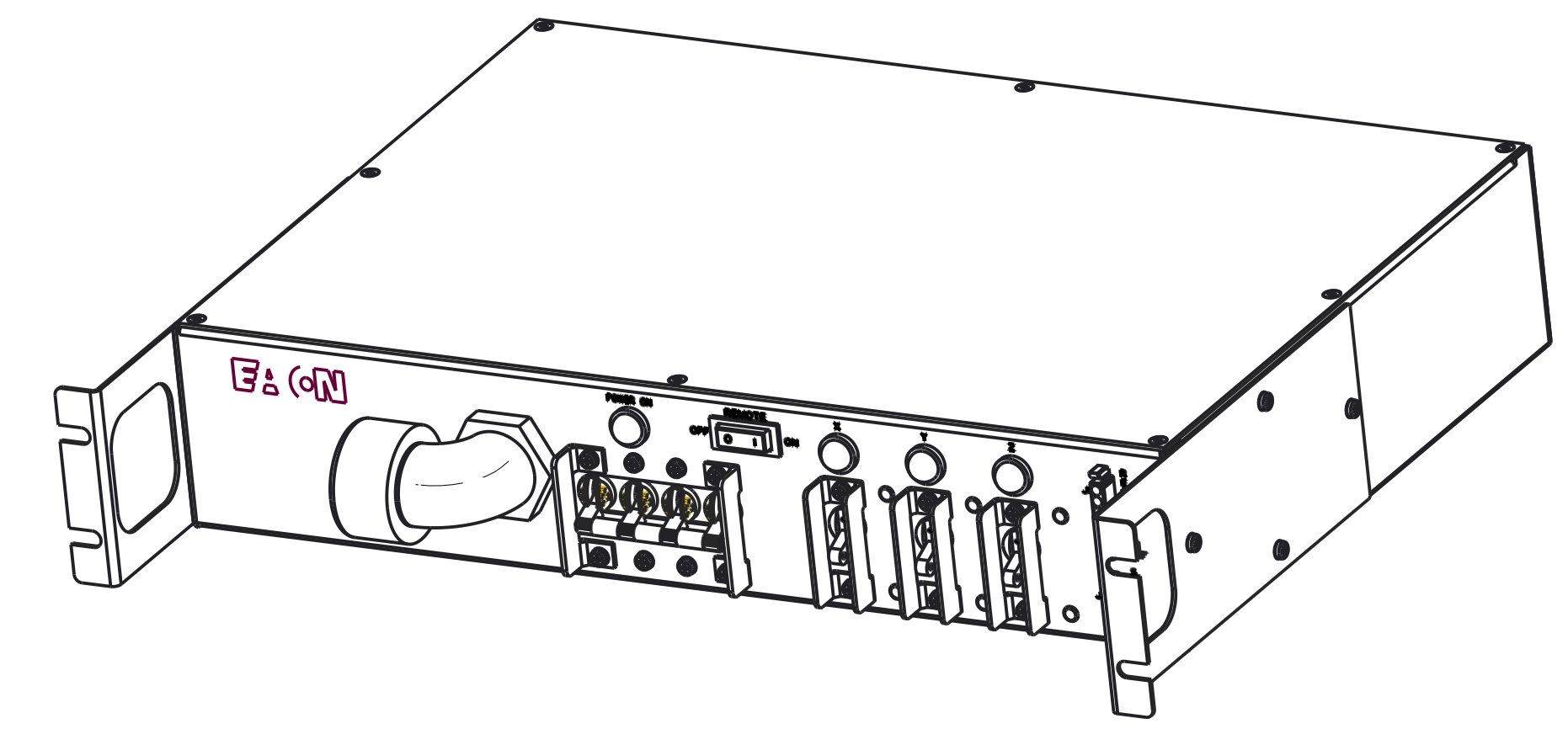
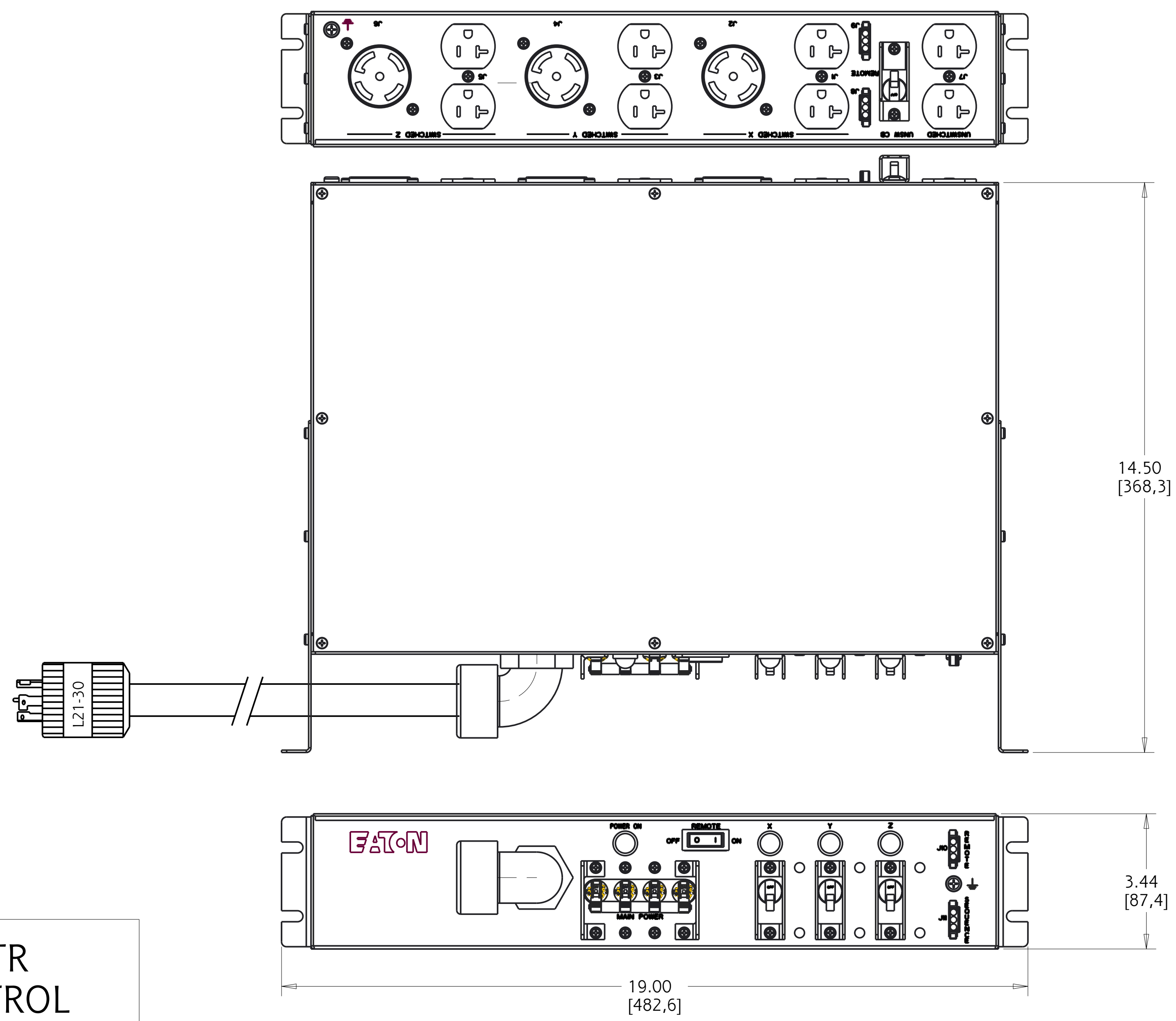

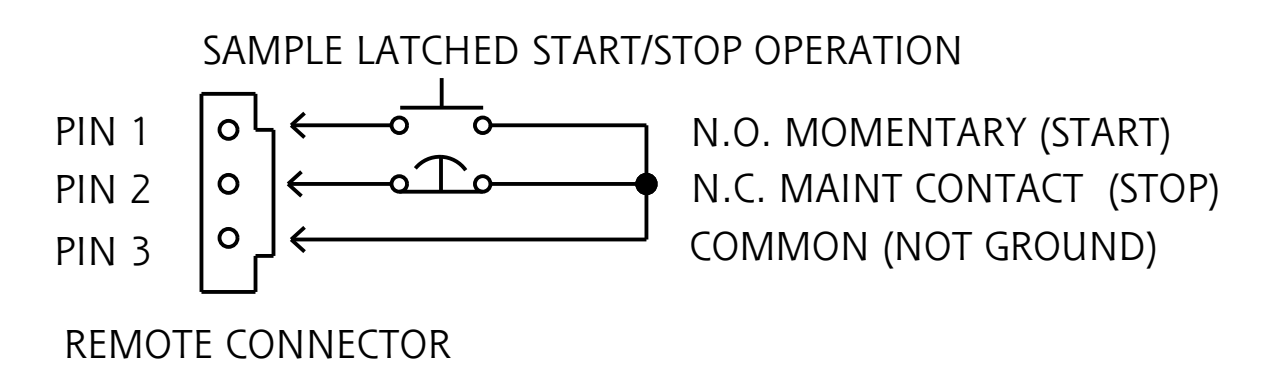


REV	ECO No.	REVISION	DR	CK	AP	DATE
02	147691	ADDED UL MARK	J.O			12 SEPT 18




PC975-1969-LTR REMOTE CONTROL

FUNCTIONALITY POWER CONTROLLER WITH LATCHING REMOTE	INPUT NEMA L21-30 PLUG 15FT 10AWG / 5C POWERCORD	OUTPUT (6) NEMA 5-20, SWITCHED (2) NEMA 5-20, UNSWITCHED (3) NEMA L21-30, SWITCHED	ENVIRONMENTAL 32° TO 113° F 0° TO 45° C
MECHANICAL 19.00" (482.6mm) WIDTH 3.44" (87.4mm) HEIGHT 14.50 (368.3mm) DEPTH BLACK CHASSIS	INPUT RATING 120/208V ~ 3P + N + PE 24A 50/60HZ	OUTPUT RATING J1, J3, J5, J7: 120V ~; 16A J2, J4, J6: 120/208V ~; 24A 24A MAX PER PHASE	CERTIFICATIONS  REGULATORY MODEL ER223PDYZCEBMJS
CIRCUIT BREAKERS MAIN (1) 30A 4-POLE RECOGNIZED BRANCH (3) 20A 1-POLE LISTED, (1) 20A 1-POLE LISTED	FILTER AND SPIKE/SURGE EMI/RFI FILTER COMMON AND DIFFERENTIAL MODE SPIKE/SURGE PROTECTION	INDICATOR LIGHTS ONE GREEN FOR MAIN POWER; ONE GREEN FOR EACH SECTION, ON WHEN SECTION IS POWERED	ACCESSORIES INCLUDED SUB-HRDWARE-001 - PANEL MOUNT KIT SCREWS SPK030 - PANEL MOUNT KIT CAGE NUTS REMOTE02 - REMOTE CONNECTOR KIT (4)



LATCHED REMOTE: REMOTE START ONLY.
MTD: SECTIONS POWER UP AT 4-SECOND INTERVALS WHEN UNIT IS STARTED.

METRIC	THIRD ANGLE PROJECTION	EATON CORPORATION, ELECTRICAL		SIZE D
SPECIFICATION DRAWING PC975-1969-LTR				
MODIFIED BY: J. OSBORNE	DATE: 18 JUNE 2018	UNLESS OTHERWISE SPECIFIED TOLERANCES ON DIMENSIONS ARE: ANGLES: ±1/2° DECIMALS: 0.X: ±0.75 X, (FOR X < 3): ±1 HOLES: ±0.013 DIA: ±0.25 X (FOR X > 3); ±2.5		SCALE: 0.500 DO NOT SCALE DRAWING OR CHANGE MANUALLY
ECO: 142548	STATE: RELEASE	DIMENSIONS ARE IN MILLIMETERS (INCHES) AND AFTER PLATING		SHEET: 1 of 1
PRO-ENGINEER GENERATED		PART NAME: PC975-1969-LTR	REVISION: 02	
<small>EATON CORPORATION - CONFIDENTIAL AND PROPRIETARY NOTICE TO PERSONS RECEIVING THIS DOCUMENT AND/OR TECHNICAL INFORMATION THIS DOCUMENT, INCLUDING THE DRAWING AND INFORMATION CONTAINED THEREON, IS CONFIDENTIAL AND IS THE EXCLUSIVE PROPERTY OF EATON CORPORATION AND IS SUBJECT TO RECALL BY EATON AT ANY TIME. BY TAKING POSSESSION OF THIS DOCUMENT, THE RECIPIENT ACKNOWLEDGES AND AGREES THAT THIS DOCUMENT CANNOT BE USED IN ANY MANNER ADVERSE TO THE INTERESTS OF EATON, AND THAT NO PORTION OF THIS DOCUMENT MAY BE COPIED OR OTHERWISE REPRODUCED WITHOUT THE PRIOR WRITTEN CONSENT OF EATON. IN THE CASE OF CONFLICTING CONTRACTUAL PROVISIONS, THIS NOTICE SHALL GOVERN THE STATUS OF THIS DOCUMENT. © 2008 Eaton Corporation - All Rights Reserved.</small>				