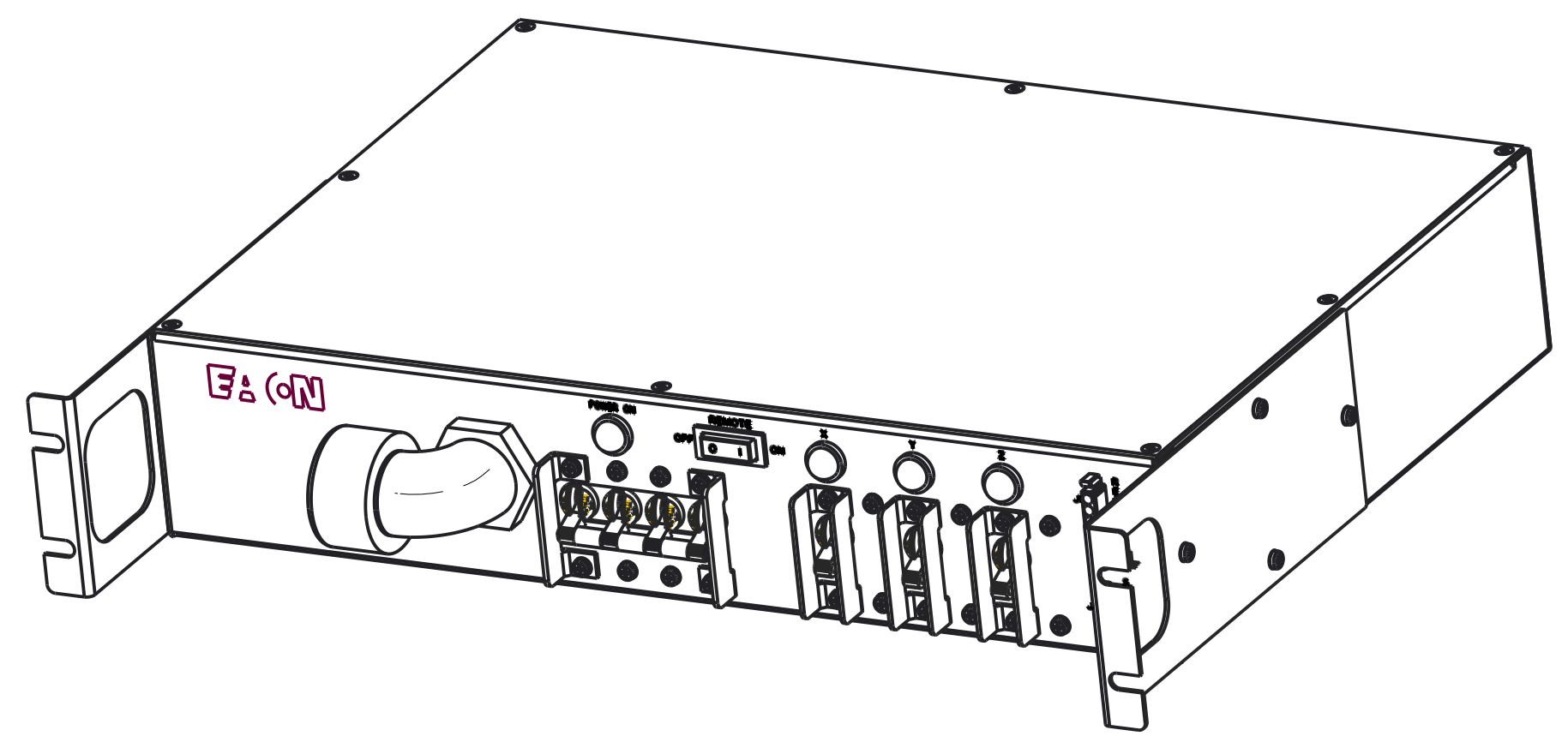
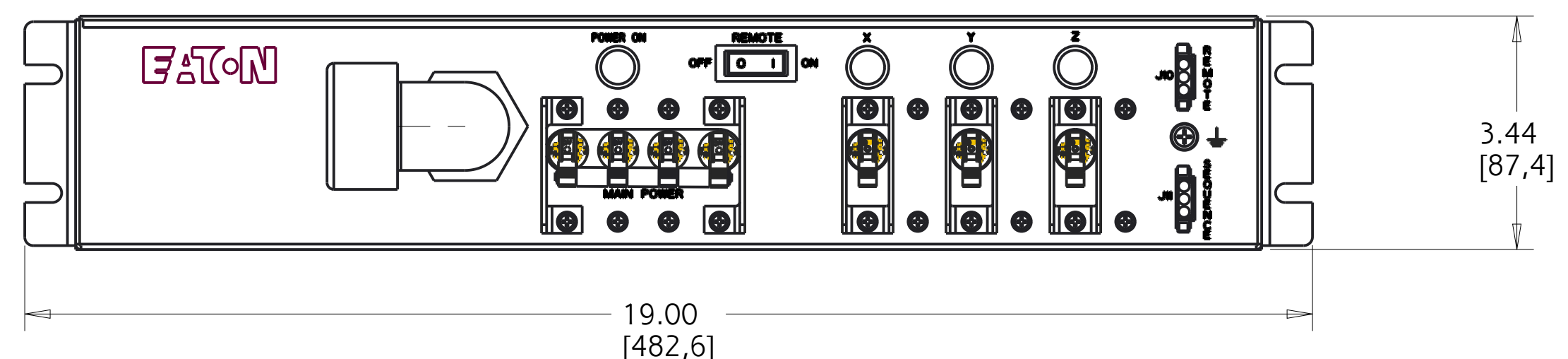
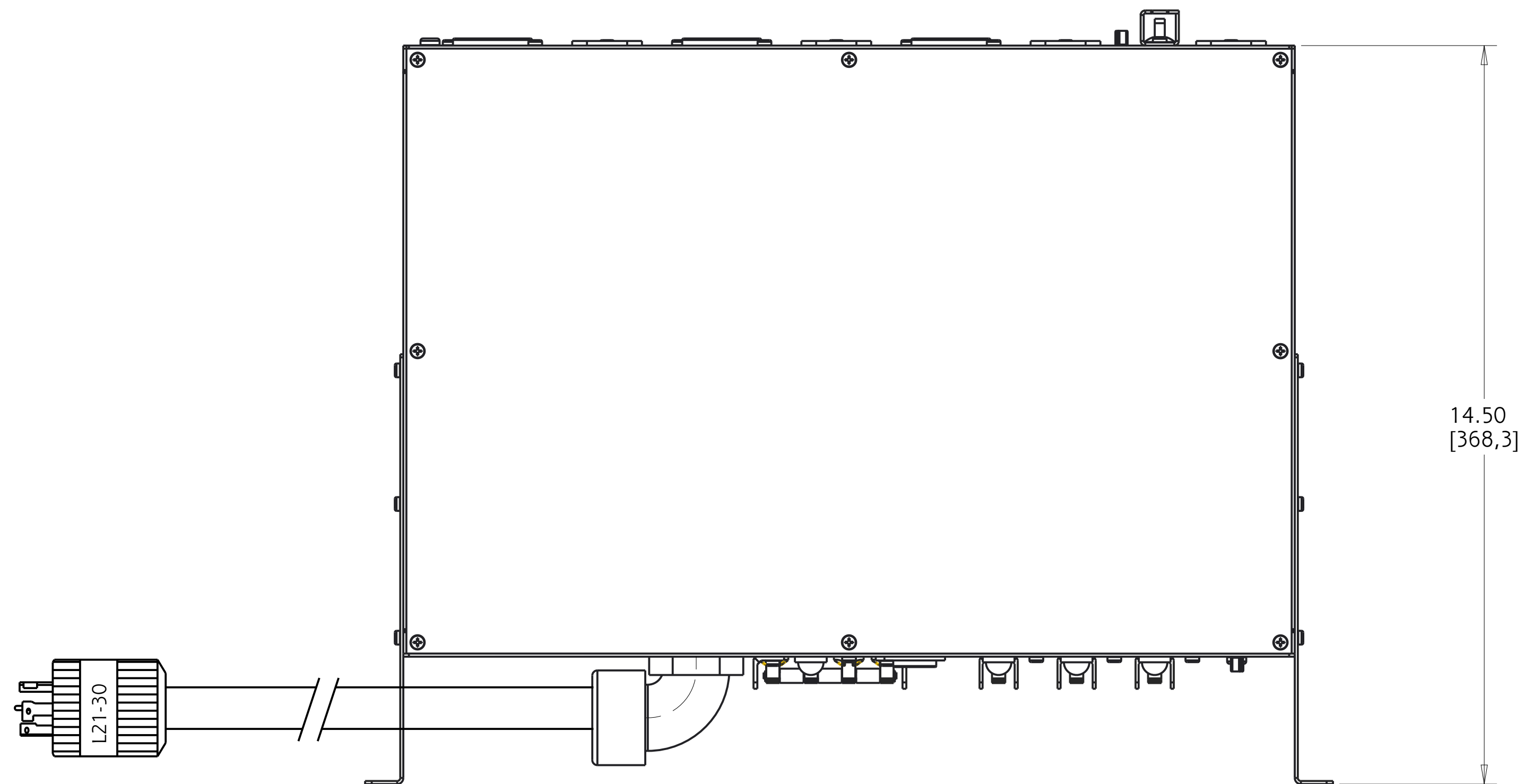
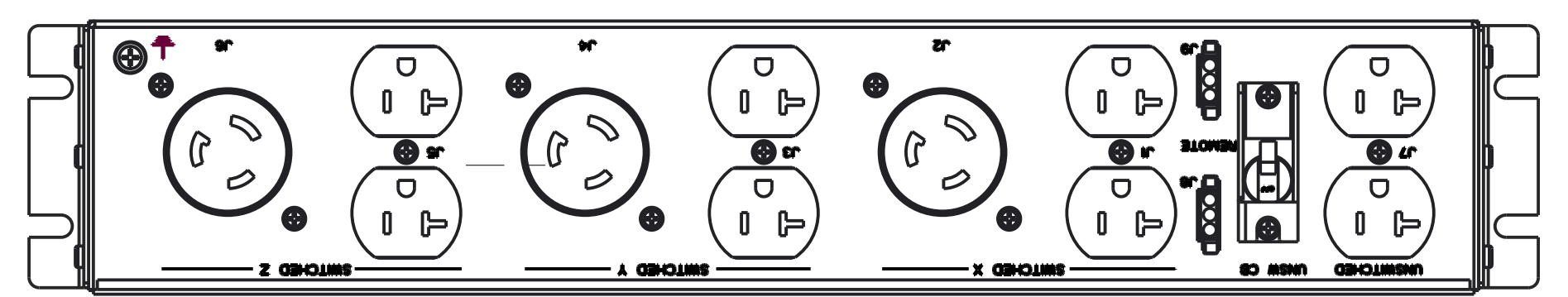
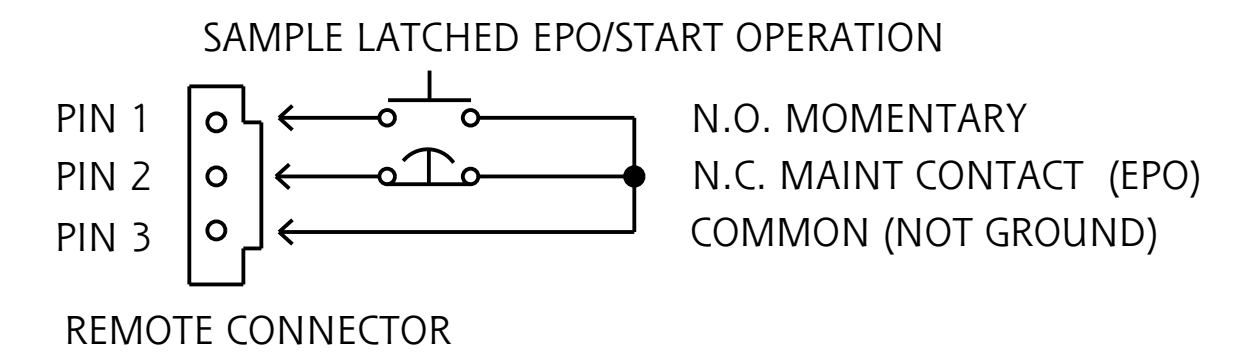


REV	ECO No.	REVISION	DR	CK	AP	DATE
02	147691	ADDED UL MARK	J.O.			11 SEPT 18



PC975-LTR REMOTE EPO

FUNCTIONALITY	INPUT	OUTPUT	ENVIRONMENTAL
POWER CONTROLLER WITH LATCHING REMOTE	NEMA L21-30 PLUG 15FT 10AWG / 5C POWERCORD	(6) NEMA 5-20, SWITCHED (2) NEMA 5-20, UNSWITCHED (3) NEMA L6-20, SWITCHED	32° TO 113° F 0° TO 45° C
MECHANICAL	INPUT RATING	OUTPUT RATING	CERTIFICATIONS
19.00" (482.6mm) WIDTH 3.44" (87.4mm) HEIGHT 14.50 (368.3mm) DEPTH BLACK CHASSIS	120/208V ~ 3P + N + PE 24A 50/60HZ	J1, J3, J5, J7: 120V ~; 16A J2, J4, J6: 208V ~; 16A 16A MAX PER SECTION 24A PER PHASE	 REGULATORY MODEL ER223PDYZDEBMHP
CIRCUIT BREAKERS	FILTER AND SPIKE/SURGE	INDICATOR LIGHTS	ACCESSORIES INCLUDED
MAIN (1) 30A 4-POLE RECOGNIZED BRANCH (3) 20A 2-POLE LISTED, (1) 20A 1-POLE LISTED	EMI/RFI FILTER COMMON AND DIFFERENTIAL MODE SPIKE/SURGE PROTECTION	ONE GREEN FOR MAIN POWER; ONE GREEN FOR EACH SECTION, ON WHEN SECTION IS POWERED	SUB-HRDWARE-001 - PANEL MOUNT KIT SCREWS SPK030 - PANEL MOUNT KIT CAGE NUTS REMOTE02 - REMOTE CONNECTOR KIT (4)



LATCHING REMOTE: REMOTE START ONLY
MTD: 4-SECOND POWER-UP DELAY BETWEEN EACH SECTION

METRIC	THIRD ANGLE PROJECTION	EATON CORPORATION, ELECTRICAL		SIZE D
SPECIFICATION DRAWING PC975-LTR				
MODIFIED BY: J. OSBORNE	DATE: 1 MAR 2018	UNLESS OTHERWISE SPECIFIED TOLERANCES ON DIMENSIONS ARE: ANGLES: ±10° HOLES: ±0.013 DIMENSIONS ARE IN MILLIMETERS (INCHES) AND AFTER PLATING		SCALE: 0.500 DO NOT SCALE DRAWING OR CHANGE MANUALLY
ECO: 135811	STATE: RELEASE	PRO-ENGINEER GENERATED	PART NAME: PC975-LTR	REVISION: 02
SHEET 1 OF 1				