

**COVERS**

| SERIES | TYPE     | CATALOG #<br><small>(replace x with # of poles)</small> | POLES<br><small>(x)</small> | FIGURE # |
|--------|----------|---|-----------------------------|----------|
| 132    | SNAP-ON  | CH132x  | 1/2/3                       | 3        |
| 133    | SNAP-ON  | CH133x  | 1/2/3                       | 3        |
| 134    | SNAP-ON  | CH1343  | 3                           | 4        |
| 135    | SNAP-ON  | CH1351  | 1                           | 5        |
| 140    | SCREW-ON | CC140x  | 2/3                         | 1        |
| 141    | SNAP-ON  | CC141x  | 1/2/3/4                     | 2        |
| 142    | SCREW-ON | CC142x  | 1/2/3                       | 1        |
| 143    | SCREW-ON | CC143x  | 1/2/3                       | 1        |
| 144    | SCREW-ON | CC144x  | 1/2/3                       | 1        |
| 145    | SCREW-ON | CC145x  | 1/2/3                       | 1        |
| HVPB1  | SNAP-ON  | CH1331  | 1                           | 5        |
| HVPB2  | SNAP-ON  | CH1332  | 1                           | 5        |

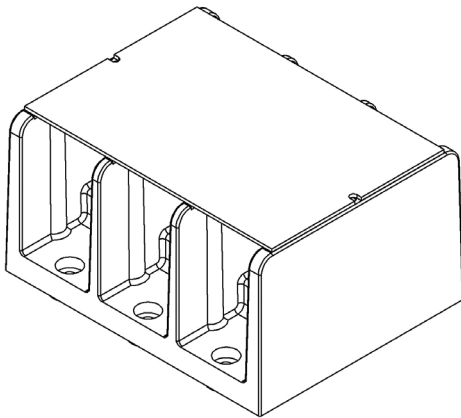


FIGURE 1

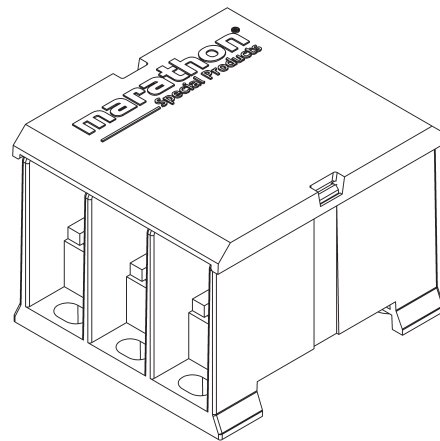


FIGURE 2

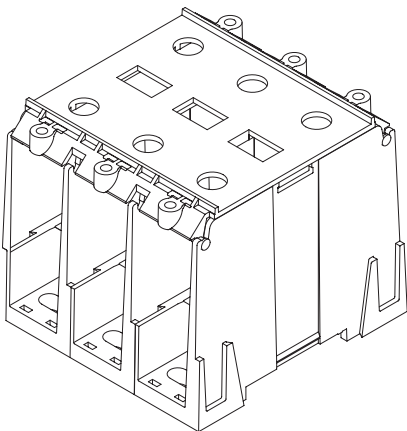


FIGURE 3

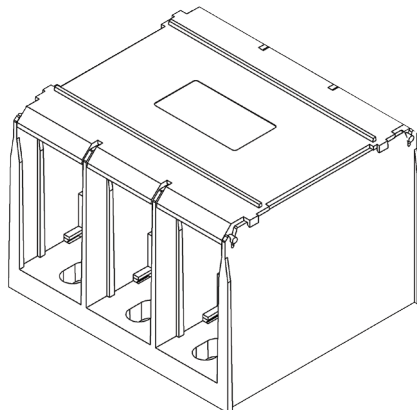


FIGURE 4

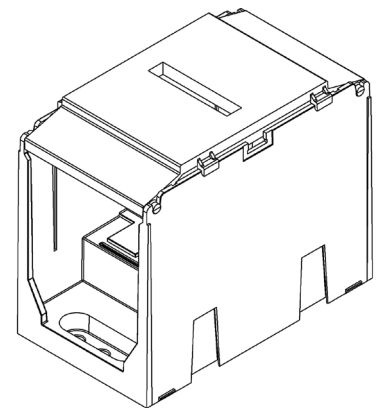


FIGURE 5