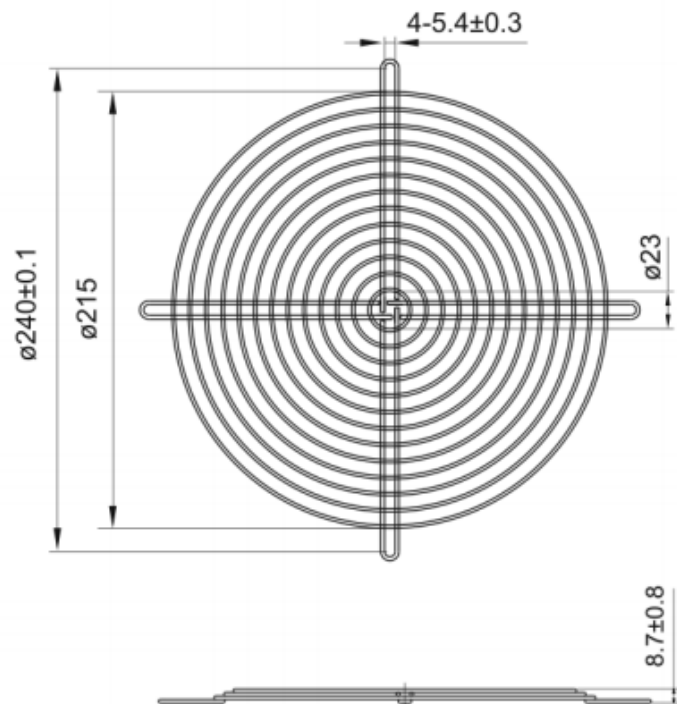
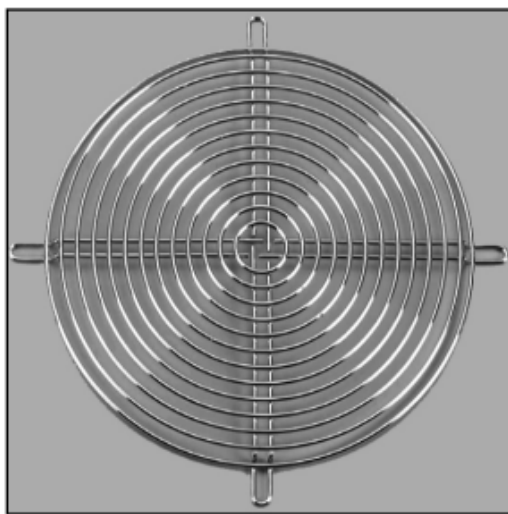


Datasheet

Finger Guard 225mm Steel

RS Stock number 737-4020

Dimensions: (mm)



NOTES:

1. MATERIAL:STEEL WIRE
2. FINISH:BRIGHT NICKEL CHROME
3. WELDS TO WITHSTAND 88LBS PULL FORCE
4. GENERAL TOLERANCE UNLESS NOTED +/-0.5MM
5. PART MEETS 6.35MM PLUG GAUGE TEST