

# Preconfigured enclosures

## 1 RS server configuration

- Ideal for labs, network closets or basic server racks.
- PDU mounting, airflow and cable management options



See page 6

## 2 RS network configuration

- Ideal for applications with medium to high-density cabling
- Cable managers installed in the front and rear



See page 8

## 3 RS colocation configuration

- Ideal for data centers requiring flexibility and security
- Secure, flexible combination lock



See page 10

# RS solution features

## Available solutions

### Size range

- Height: 42U, 45U, 48U, 52U
- Width: 600mm and 800mm
- Depth: 1000mm, 1100mm, 1200mm

### Colors

- White steel
- Black steel

## Safety & certifications

### Loading

- Robust 3000 lbs. static loading; 2000 lbs. dynamic loading

### Grounding

- Featured on all components
- Auto-bonding for ease of grounding on most components

### Anchorage and leveling

- Anti-tip and seismic anchorage brackets available as options
- Easy-to-access levelers for ease of installation and pads to protect floors
- Anchor bracket kits easily install on front of frame
- Seismic anchorage analysis report available upon request

### Compliance and certifications

- UL 2416 for data center applications (includes UL 60950)



## Construction solutions

### Frame

- Welded and bolted construction; highly symmetrical design
- 3000 lbs. static loading to handle a full load of servers or related IT equipment

### Doors

- High-flow full door with maximum perforation area to help ensure no blockage in equipment mounting space
- High-flow split perforated doors
- One person easy on/easy off door installation with quick disconnect lanyards for grounding
- 180°+ opening
- Swing handle with key lock is standard
- Optional locks available including HFID and combo lock

### Rails

- Easy alignment with location markings on crossmembers
- Markings on front and rear help make equipment mounting easy
- .375" square holes with mounting hardware

### Side panels

- Easy on/off locking solid side panels
- Feature an easy lift off/drop on design
- Cable pass-thru version option available as an accessory

### Top panel

- Cable ingress and support with standard top panel helps manage airflow and cable pass-thru
- Brush in rear for handling larger data bundles or power cords/receptacles
- Configurable options

### PDU mounting

- Brackets integrate cable management
- Brackets can mount up to two PDUs and also accommodate cable management elements, including Velcro® straps, to help manage cabling in PDU area
- For split PDUs or additional cable management, add additional bracket kits as needed
- 90-degree bracket option for mounting behind rails on 800mm wide versions

### Airflow management

- Rails mate to top panel and bottom caster pontoon for hot aisle/cold aisle seal
- Side air dams and blanking panels (optional air dams available)

# 1 RS server configuration

RS server configurations are the perfect solution for labs, network closets or basic server racks.

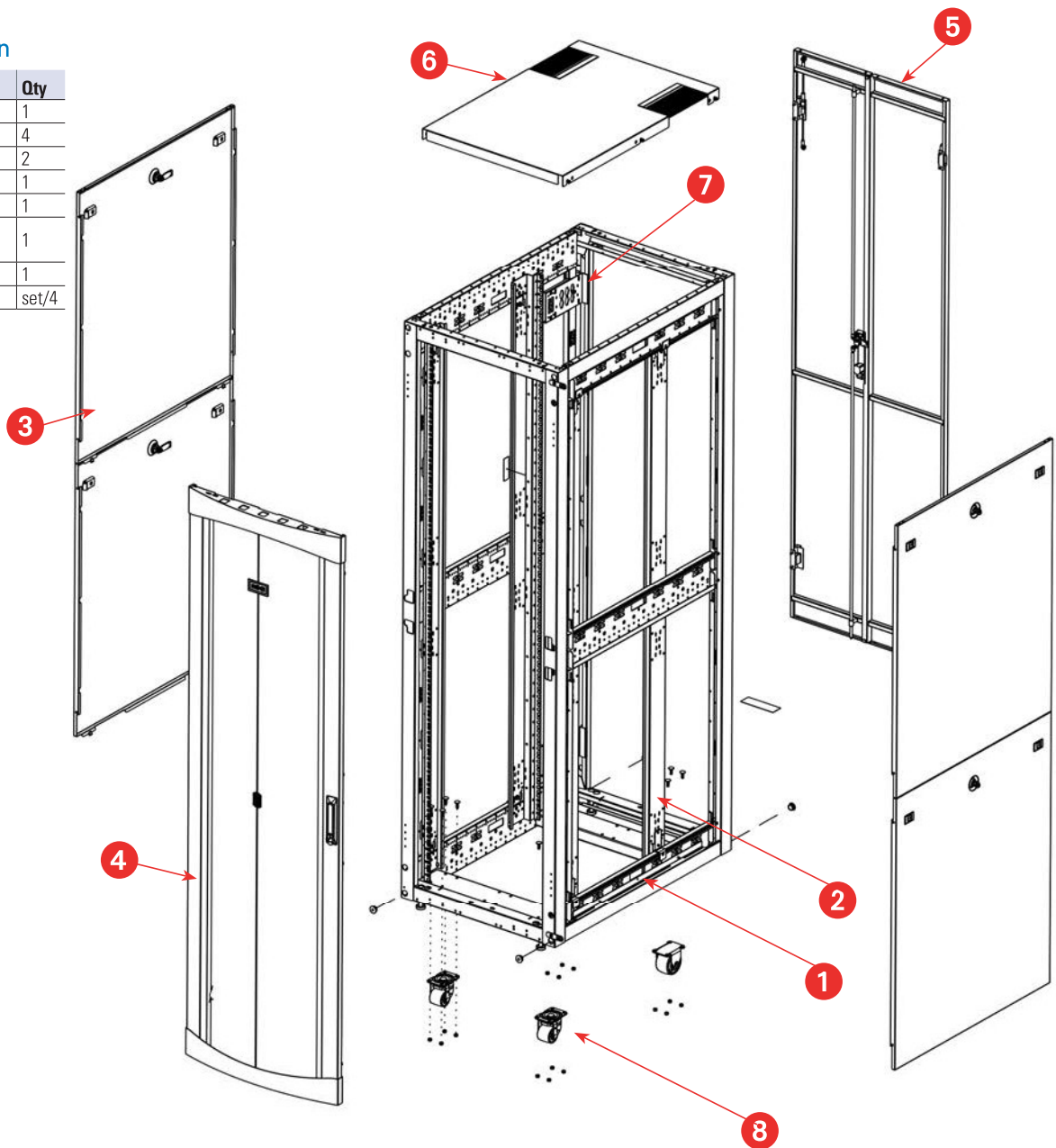
Server configurations are available in black or white in a wide range of sizes including heights of 42U, 45U, 48U and 52U, widths of 600mm and 800mm, and depths of 1000mm, 1100mm and 1200mm. To support different thermal requirements, servers are available with and without side panels.

## Each configuration includes:

- Robust frame
- Square hole adjustable rails
- High-flow perforated front door
- High-flow split rear door
- Locking split side panels (where applicable)
- Networking top panel with cable pass-thru grommets and brush
- Casters and levelers
- PDU mounting brackets
- Grounding

## RS server configuration

Item	Description	Qty
1	Welded frame	1
2	Rackmount rails	4
3	Locking split side panels	2
4	Full front door	1
5	Rear split door	1
6	Top panel with cable pass-thru grommets	1
7	Dual PDU bracket kit	1
8	Caster kit	set/4





# How to order an RS server configuration

## Server configuration part number matrix

**Step 1** Select **server style** RSV = standard server or RSVNS = standard server - no sides

**Step 2** Select **(U) height** 42, 45, 48, 52

**Step 3** Select **width** 6 = 600mm or 8 = 800mm

**Step 4** Select **depth** 0 = 1000mm or 1 = 1100mm 2 = 1200mm

**Step 5** Select **color** W = white or B = black

**Example:** RSV4261B is a 42U high, 600mm wide, 1100mm deep, black standard enclosure with sides



Server configuration front



Server configuration back

## RS server configuration most popular accessories\*



Vertical air dam

Air dams	Width	Height (U)	Color
RSAIRD = RS air dam	600 for 600mm	42, 45, 48, 52	W = white B = black
	800 for 800mm		

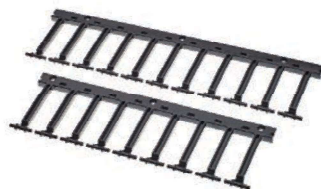
**Example:** RSAIRD80042B is an air dam that is 800mm wide, 42U high, black

Side panels	Height (U)HH	Depth D	Color
RSSP = RS side panels - solid RSSPC = RS side panel cable pass-thru	42, 45, 48, 52	0 = 1000mm	W = white B = black
		1 = 1100mm	
		2 = 1200mm	

**Example:** RSSP420B: RS side panel solid, 42U high, 1000mm deep, black

Vertical cable manager finger kit	Height (U)
RSCMF = Vertical cable manager finger kit	42, 45, 48, 52

**Example:** RSCMF42U is a 42U high, vertical cable manager finger kit.



Cable fingers

\* For a full range of accessories, see pages 14 through 19.