

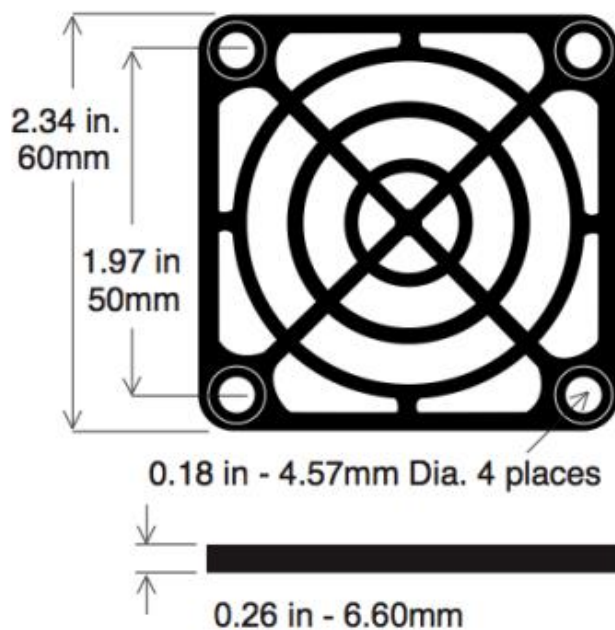
Datasheet

Finger Guard 60mm, 60 x 60mm PBT

RS Stock 737-4049



Dimensions: (mm)



Material

Plastic - reinforced ABS
UL approved
Rating UL94V-0