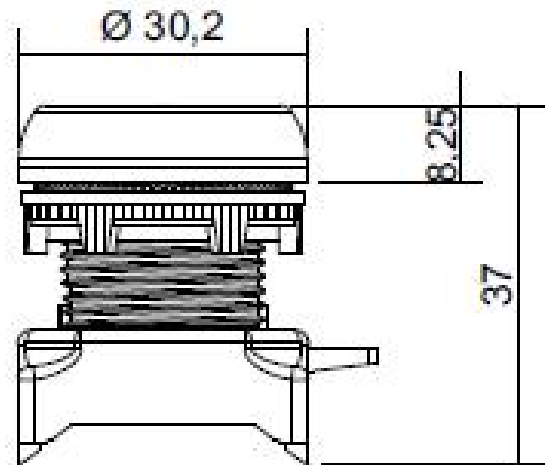


Datasheet

| Stock Number: | 188-1122 | 188-1123 | 188-1124 | 188-1126 | 188-1127 | 188-1128 |
|---------------|---|---|---|--|---|---|
| |  |  |  |  |  |  |
| Colour: | BLUE | RED | GREEN | YELLOW | BLACK | WHITE |

22mm Flush Push Button Heads (Plastic)



Non-illuminated flush push button heads for use with the RS pro modular plastic push button series. Robust design in a variety of colours with modern silver coloured bezel. Simple installation via standard lock nut.

Specifications:

- 22mm Diameter
- Spring return head
- IP65 rated
- Contact block mounting clip included
- Stackable design for contact blocks (max 9)
- Mechanical life more than 1 million uses

| | | | | | | |
|-------------------------|---------------|----------|----------|----------|----------|----------|
| Stock Number: | 188-1122 | 188-1123 | 188-1124 | 188-1126 | 188-1127 | 188-1128 |
| Colour | Blue | Red | Green | Yellow | Black | White |
| Cut out Diameter | 22.5mm | | | | | |
| Actuation | Spring Return | | | | | |
| Style | Flush | | | | | |
| IP Rating | IP65 | | | | | |
| Shape | Round | | | | | |
| Mounting Type | Panel Mounted | | | | | |
| Body Material | Plastic | | | | | |

Accessories:

| Stock Number | Accessory Type |
|--------------|--|
| 188-1168 | Normally Open Contact Block – Screw Terminal |
| 188-1169 | Normally Closed Contact Block – Screw Terminal |
| 188-1170 | Normally Open Contact Block – Spring Terminal |
| 188-1171 | Normally Closed Contact Block – Spring Terminal |
| 175-3954 | Legend Plate 0-I Pack of 5 |
| 175-3955 | Legend Plate CLOSE Pack of 5 |
| 175-3956 | Legend Plate DOWN Pack of 5 |
| 175-3958 | Legend Plate FORWARD Pack of 5 |
| 175-3959 | Legend Plate I-O-II Pack of 5 |
| 175-3960 | Legend Plate OFF - ON Pack of 5 |
| 175-3961 | Legend Plate OPEN Pack of 5 |
| 175-3962 | Legend Plate RESET Pack of 5 |
| 175-3964 | Legend Plate REVERSE Pack of 5 |
| 175-3965 | Legend Plate START Pack of 5 |
| 175-3966 | Legend Plate STOP Pack of 5 |
| 175-3967 | Legend Plate UP Pack of 5 |
| 182-8655 | Pushbutton Enclosure, 1 Hole, Plastic, Grey, 22mm Cut Out |
| 182-8656 | Pushbutton Enclosure, 2 Hole, Plastic, Grey, 22mm Cut Outs |
| 182-8657 | Pushbutton Enclosure, 3 Hole, Plastic, Grey, 22mm Cut Outs |
| 182-8658 | Pushbutton Enclosure, 4 Hole, Plastic, Grey, 22mm Cut Outs |
| 136-8582 | Pushbutton Enclosure, 1 Hole, Die Cast Aluminium, Yellow, 22mm Cut Out |
| 136-8581 | Pushbutton Enclosure, 1 Hole, Die Cast Aluminium, Yellow, 22mm Cut Out |