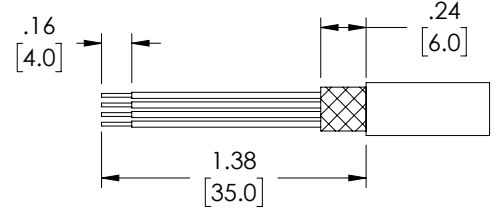
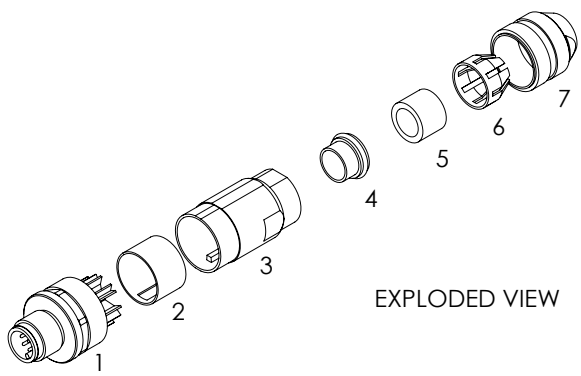
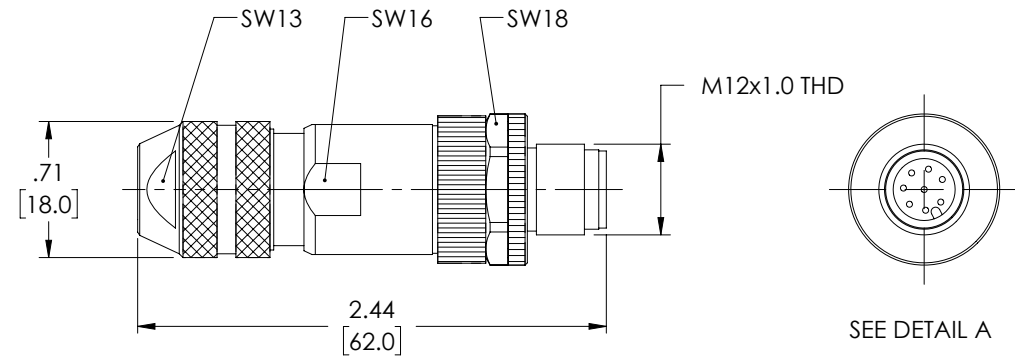


THE INFORMATION CONTAINED IN THIS DRAWING IS THE SOLE PROPERTY OF L-COM, INC. ANY REPRODUCTION IN PART OR WHOLE WITHOUT THE WRITTEN PERMISSION OF L-COM, INC. IS PROHIBITED.

REVISIONS			
REV	DESCRIPTION	DATE	APPROVED
A	REV A DRAWING RELEASED	02/28/2019	DGUTTADAUR

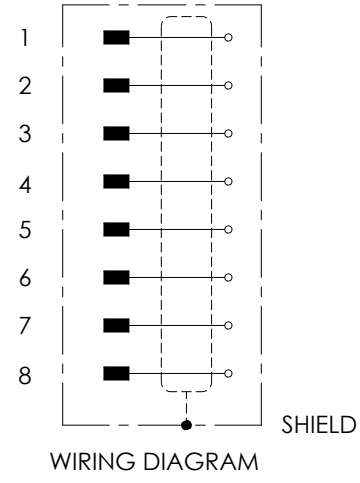


RECOMMENDED WIRE STRIPPING TYP.

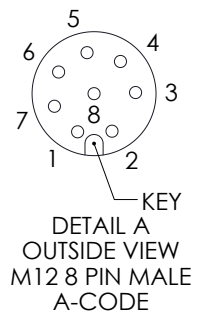


EXPLODED VIEW

PART TABLE	
ITEM	DESCRIPTION
1	WIRE MANAGER & PINS
2	INSULATOR
3	HOUSING
4	METAL SLEEVE
5	RUBBER SLEEVE
6	PLASTIC BUSHING
7	COMPRESSION NUT



WIRING DIAGRAM



DETAIL A
OUTSIDE VIEW
M12 8 PIN MALE
A-CODE

NOTES:

MECHANICAL DATA:

- CABLE OUTSIDE DIAMETER: 6mm - 8mm (.24" - .31")
- CONDUCTOR RANGE: 0.25 - 0.5mm² (24 - 20 AWG)
- CABLE CONNECTION: SCREW TERMINAL
- TEMP. RANGE: -40°C TO +85°C
- PROTECTION: IP67 WHEN MATED AND TIGHTENED
- HOUSING MATERIAL: BRASS, NICKEL PLATED
- RECOMMENDED TORQUE 0.6NM

MISCELLANEOUS:

- OPERATING VOLTAGE: 30 V AC/DC
- OPERATING CURRENT PER CONTACT: MAX 2 A
- SHIPS UNASSEMBLED
- DIMENSIONS FOR REFERENCE ONLY

UNLESS OTHERWISE SPECIFIED, DIMENSIONS ARE IN INCHES [mm] OVERALL CABLE LENGTH TOLERANCE: ≤12 [305] = +1 [25] / -0 >12 [305] ≤60 [1524] = +2 [51] / -0 >60 [1524] ≤120 [3048] = +4 [102] / -0 >120 [3048] ≤300 [7620] = +6 [152] / -0 >300 [7620] = +5% / -0%	APPROVALS	DATE		50 HIGH STREET NORTH ANDOVER, MA 01845
	DRAWN BY DZINN	02/28/2019		CATEGORY TELECOM/MODULAR
ALL OTHER DIMENSIONAL TOLERANCES: .X = ±.2 [5.08] .XX = ±.02 [1.51] .XXX = ±.005 [1.27]	CHECKED BY DFRISIELLO	02/28/2019	PRODUCT DESCRIPTION M12 8A-M FIELD TERM SHD	
	APPROVED BY DGUTTADAUR	02/28/2019	SIZE A	FSCM NO. 43321
PROJECTION 	CONFIGURATION DETAILS OF UNDIMENSIONED FEATURES MAY VARY		DWG. NO. M12FT8AMS	REV. A
COLOR VARIATIONS MAY OCCUR		SCALE: NONE		CAD FILE: M12FT8AMS.SLDDRW
			SHEET 1 OF 1	