

Product Data Sheet

671 RZ XX 3765

Replace "XX" with 01 through 30 for number of poles

Terminal Block– Closed Back

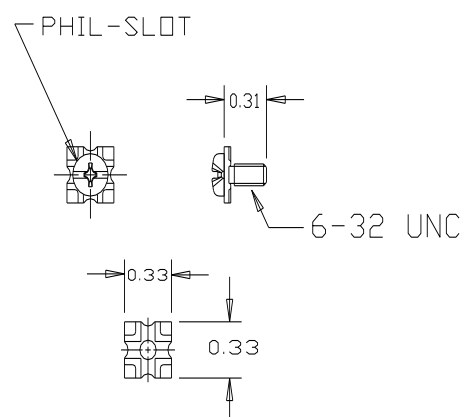
With Sems Pressure Saddle Screw

30 Amps, 300 Volts (AC/DC) Class B

30 Amps, 150 Volts (AC/DC) Class C



(6 Pole shown)



Copper Stranded Wire only.

Wire Range with unprepared wire: #14 - #22 AWG

7/16" Centers

Application torque: 12 in. lbs

Electrical Ratings:

- 30A with Listed ring lug
- 20A with unprepared wire
- 300 Volts AC/DC (UL 1059 Class B, Use Group – Commercial Appliances)
- 150 Volts AC/DC (UL 1059 Class C, Use Group – General Industrial)
- Short Circuit Current Rating: 10,000A (Default)
- Approved for Factory and Field Wiring.

NOTE: Use outside these ratings must be judged in end-use application

Mechanical Ratings:

- Insulator base temperature rating: -40° C/F to 125°C (257°F) UL RTI
- Flammability rating of insulator base: UL 94V-0

Materials:

- Connector (Contact): Brass, tin plated.
- Insulator base: Glass filled Polycarbonate (Thermoplastic)
- Drive screw (Rivet): Stainless steel
- Screw, #6-32 Saddle Plate, Phil-Slot: Steel, nickel plated

Agency Approvals:

- UL Recognized, UL 1059 Terminal Block Standard, File No. XCFR2.E62806
- CSA Certified, CSA C22.2 No. 158, File No. LR19766
- CE compliant, IEC 60947-7-1
- RoHS Compliant

Wire Range:

Wire Size	Torque	Copper Wire Stranding Classes - Number of Strands		
		Solid	Class B	Class C
12	12 in. Lbs		1	1
14	12 in. Lbs		1	1
16	12 in. Lbs		1	1
18	12 in. Lbs		1	1
20	12 in. Lbs		1	1
22	12 in. Lbs		1	1

Mounting:

Suggested product mounting hardware: #6 fastener, torque to 10-15 in. lbs.

Accessories:

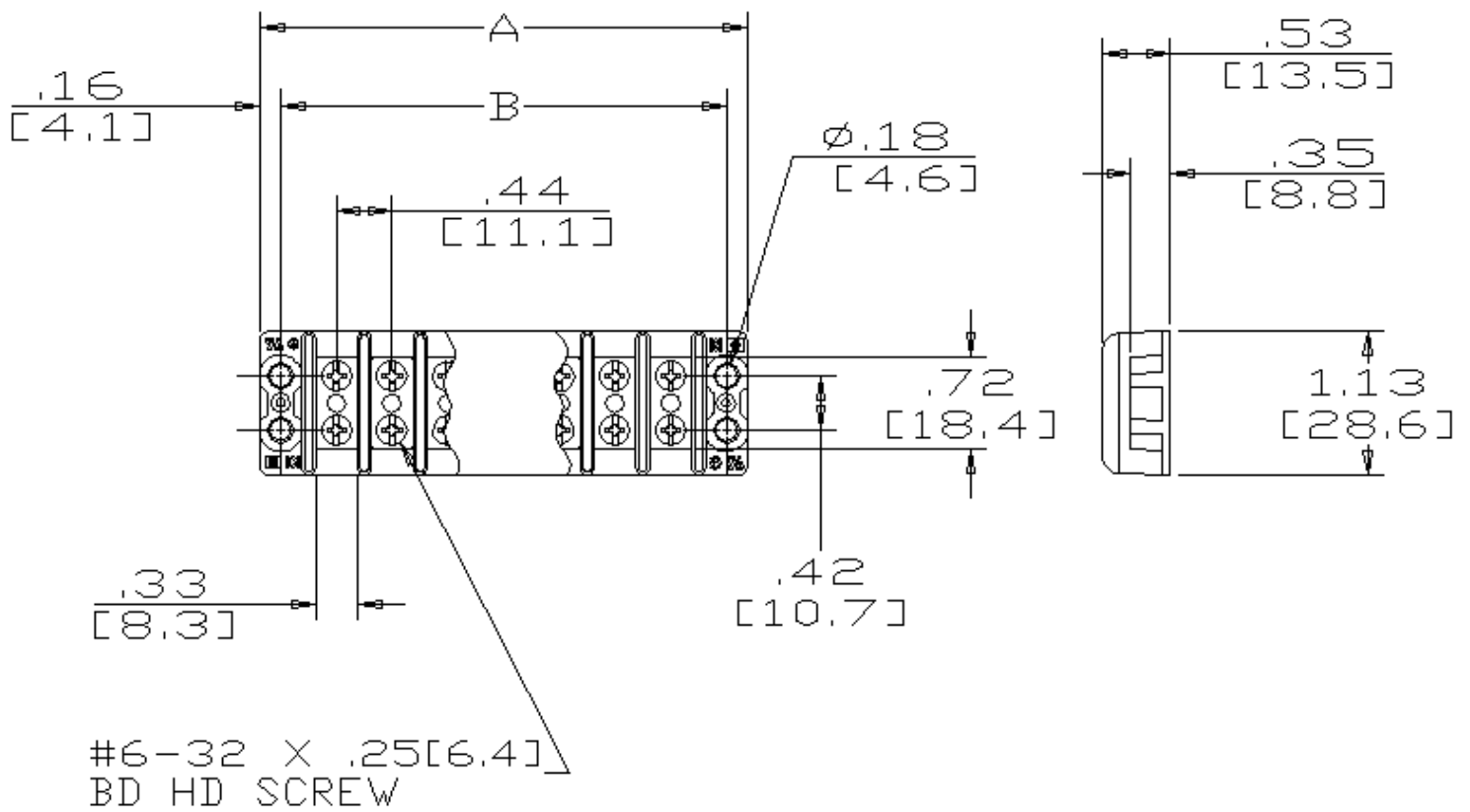
- Printing: for printing options, see Terminal Block Printing
<http://marathonsp.com/CatalogPDFs/TBPrinting.pdf>

- Marking strips (Sub mounted or Top mounted)
<http://marathonsp.com/CatalogPDFs/TopMountedMS.pdf>
<http://marathonsp.com/CatalogPDFs/SubMounted.pdf>



- Cover – top mounted (May not accommodate some hardware options) .
Order CW (white) or CB (Black). Can be printed.
<http://marathonsp.com/CatalogPDFs/TopMountedCover.pdf>





Catalog No	# of Poles	Dimensions		X	Catalog No	# of Poles	Dimensions	
		A	B				A	B
671 RZ 01	1	1.19	0.88	X	671 RZ 16	16	7.75	7.44
671 RZ 02	2	1.62	1.31	X	671 RZ 17	17	8.19	7.88
671 RZ 03	3	2.06	1.75	X	671 RZ 18	18	8.62	8.31
671 RZ 04	4	2.50	2.19	X	671 RZ 19	19	9.06	8.75
671 RZ 05	5	2.94	2.63	X	671 RZ 20	20	9.50	9.19
671 RZ 06	6	3.37	3.06	X	671 RZ 21	21	9.93	9.62
671 RZ 07	7	3.81	3.50	X	671 RZ 22	22	10.37	10.06
671 RZ 08	8	4.25	3.94	X	671 RZ 23	23	10.81	10.50
671 RZ 09	9	4.68	4.37	X	671 RZ 24	24	11.24	10.93
671 RZ 10	10	5.12	4.81	X	671 RZ 25	25	11.68	11.37
671 RZ 11	11	5.56	5.25	X	671 RZ 26	26	12.12	11.81
671 RZ 12	12	5.99	5.68	X	671 RZ 27	27	12.55	12.24
671 RZ 13	13	6.43	6.12	X	671 RZ 28	28	12.99	12.68
671 RZ 14	14	6.87	6.56	X	671 RZ 29	29	13.43	13.12
671 RZ 15	15	7.31	7.00	X	671 RZ 30	30	13.86	13.55

MM = Dim X 25.4

WWW.MARATHONSP.COM
(419) 352-8441