

# Electronic LCD Hour Meter and Counter Combo, Series T39



**T39AC**



**T39AA**

## Features

- Non-Volatile Memory (no battery)
- Low Power Consumption
- Low Cost and Small Size
- Silent Operating, No Moving Parts
- High Shock and Vibration Specs
- Solid State Electronics
- Wide Operating Temperature and Voltage
- High Reliability
- Non-Reset Option Available
- Quartz Crystal
- ISO 9001:2000 Certified
- Made in the U.S.A.

ENM's Series T39 LCD 6-digits hour meter and up or down counter instrument is ideal to any application that requires recording both time measurement and event count for maintenance schedule.

The two display meters can operate independently or in parallel. This compact tamper-proof meter is protected from the environment to provide years of service.

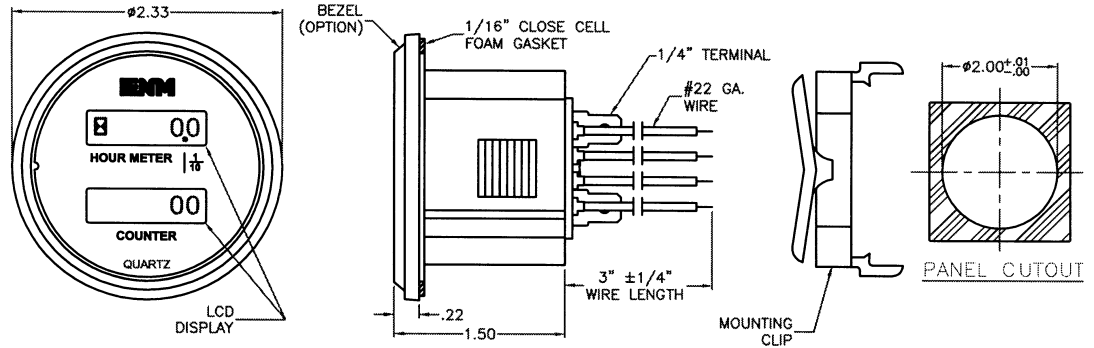
Accumulated time hours and counts are stored on powerless non-volatile data backup using CMOS EEPROM technology, where small space and reliable meter is required with memory that does not rely on battery.

## Specifications

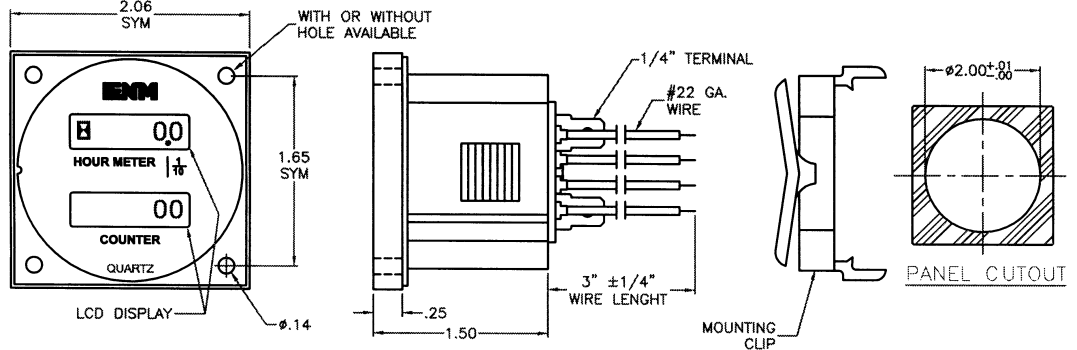
Display Reading:	99999.9 Hours meter (00 to 999999) Up counter (999999 to 000000) Down counter Automatic recycle to zero
Digit Height:	6-digits, (.157") [5MM] LCD
Operating Voltage:	Range 8V-32VDC, other AC and DC voltage are also available
Counter Speed:	100 C.P.S.
Power Consumption:	app. 6mA, maximum 8 - 24VDC and 20mA, @ 28VDC
Accuracy:	Better than +/- 0.01% over entire range
Temperature:	Standard -40C to +85C (-40F to +185F)
Vibration Resistance:	Withstands 10 to 75Hz @ 1 to 8 g's
Termination	Wire leads and 1/4" male blade terminals see reverse side for more detail
Mounting Configuration:	Round SAE Bezel with push on retaining clip. Other mounting styles are also available. See reverse side

2003 ENM Co.®

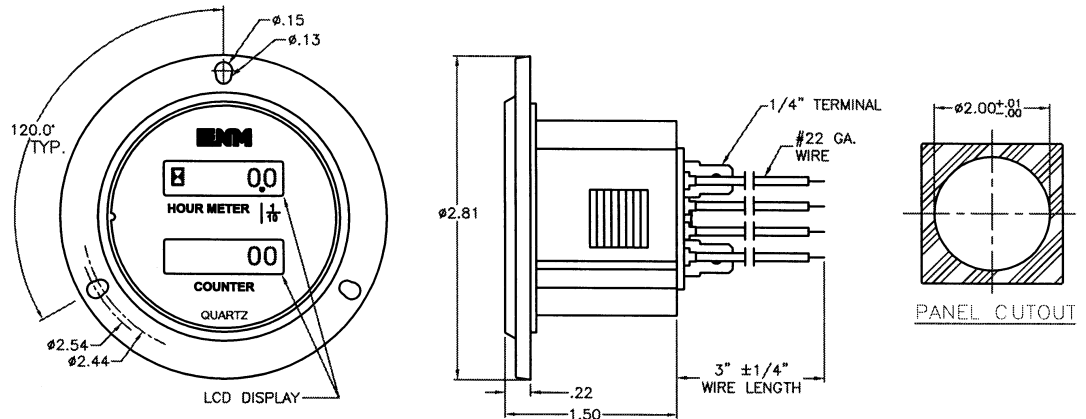
ENM	DESCRIPTION
T39AA	Two-Hour Meter
T39AB	Two Counters
T39AC	Top Hour Meter/ Bottom Counter



ENM	DESCRIPTION
T39EA	Two-Hour Meter W/hole
T39EB	Two Counters W/hole
T39EC	Top Hour Meter/ Bottom Counter W/hole
T39DA	Two Hour Meter/ W/out hole
T39DB	Two Counters W/out hole
T39DC	Top Hour Meter/ Bottom Counter W/out hole



ENM	DESCRIPTION
T39BA	Two-Hour Meter
T39BB	Two Counters
T39BC	Top Hour Meter/ Bottom Counter

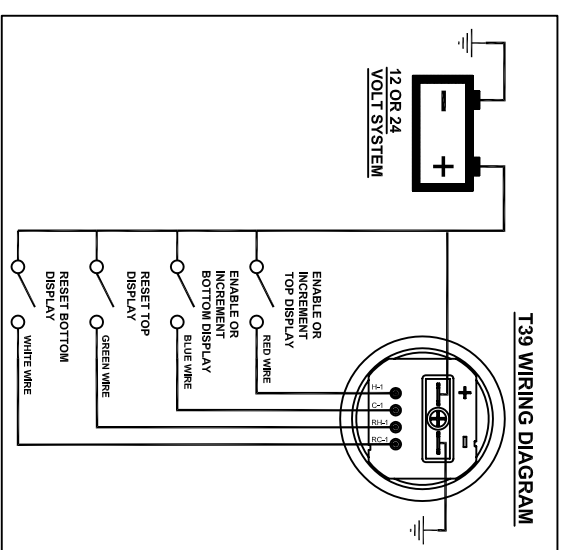
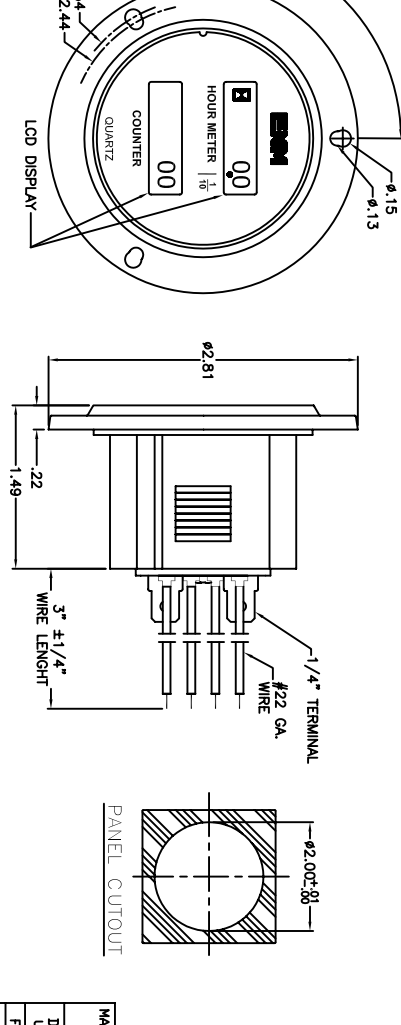
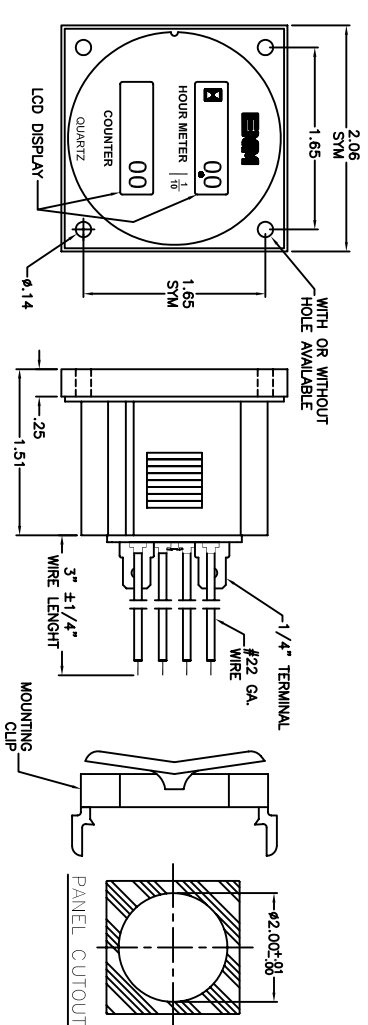
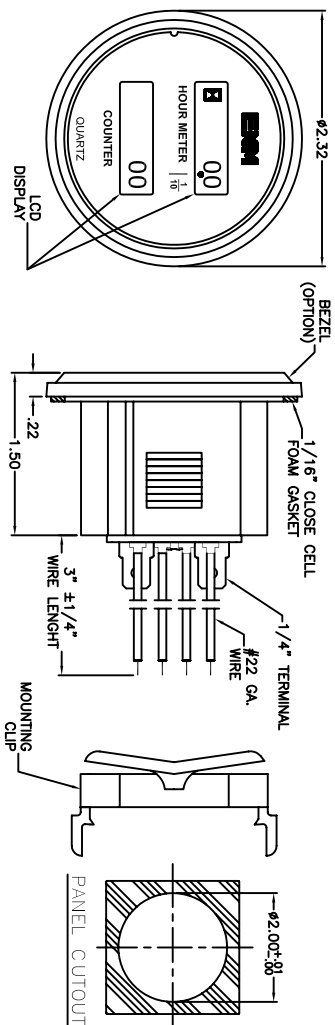


2003 ENM Co.®

### LIMITED WARRANTY HOUR METERS

ENM Company hour meters are warranted to the consumer to be free from defects in material and workmanship for a period of 10,000 operating hours or for a period of 3 years, whichever first occurs. All ENM products which fall within the warranty period due to defects in material or workmanship will be repaired or replaced, at ENM's option, without charge to the consumer when returned with proof of purchase to any authorized ENM dealer in the United States, transportation charges prepaid, provided there is no evidence of improper installation, tampering, or other abuse. All implied warranties, including any implied warranty of merchantability or fitness for a particular purpose, shall be limited in duration to the express warranty period specified above. ENM disclaims any liability for consequential damages due to breach of any written or implied warranty on its hour meter. Datasheet information subject to change.

REVISIONS			
SYM	DESCRIPTION	DATE	APPROVAL



**TECHNICAL DATA**

OPERATING: 2 TERMINALS AND 4 WIRE DEVICES  
 RESET INPUT: CUSTOMER OPTION (1 OR 2 OR NON RESET)  
 OPERATING VOLTAGE: MIN. 4.5VDC - MAX. 28VDC  
 OPERATING CURRENT: 6mA MAX. 8 TO 24VDC  
 MAXIMUM COUNT SPEED: 50 C.P.S.  
 OPERATING TEMP. -30°C TO +65°C  
 CASE MATERIAL: AS CYCLIC GRADE KGB (BLACK).

OPERATING SPECIFICATION	
MODELS T39AA T39BA T39EA T39DA	
CONNECT NEGATIVE 1/4" TERMINAL TO BATTERY NEGATIVE.	
CONNECT POSITIVE 1/4" TERMINAL TO BATTERY POSITIVE.	
CONNECT RED WIRE (H-1) TO ENABLE TOP HOUR METER DISPLAY	
CONNECT BLUE WIRE (C-1) TO INCREMENT BOTTOM HOUR METER DISPLAY	
CONNECT GREEN WIRE (R-1) TO RESET TOP DISPLAY	
CONNECT WHITE WIRE (C-1) TO RESET BOTTOM DISPLAY	
OPERATING SPECIFICATION	
MODELS T39AC T39EC T39DC T39BC	
CONNECT NEGATIVE 1/4" TERMINAL TO BATTERY NEGATIVE.	
CONNECT POSITIVE 1/4" TERMINAL TO BATTERY POSITIVE.	
CONNECT RED WIRE (H-1) TO ENABLE TOP HOUR METER DISPLAY	
CONNECT BLUE WIRE (C-1) TO INCREMENT BOTTOM HOUR METER DISPLAY	
CONNECT GREEN WIRE (R-1) TO RESET TOP DISPLAY	
CONNECT WHITE WIRE (C-1) TO RESET BOTTOM DISPLAY	

MATERIAL		FINISH		HEAT TREAT	
DIMENSIONAL TOLERANCES UNLESS OTHERWISE SPECIFIED					
FRAC.	DEC.	ANG.			
±1/64	±.005	±30°			
XX	XX	XX			
F.01					
SCALE	IND. REQ'D	TITLE		FINISH	
NEXT ASSY.		T39 SERIES TWO METER COMBO		HEAT TREAT	
DRAWN	JG	DATE	7/22/02	SIZE	B
CHECKED	NI	DATE	7/22/02	DRAWING NUMBER	S-T39 SERIES
APPROVED	JG	DATE	7/22/02	ISSUE	1

THIS PRINT IS THE PROPERTY OF ENM COMPANY AND IS LOANED SUBJECT TO RETURN UPON DEMAND. TITLE TO SAME IS NEVER SOLD OR OF DESIGN OR INVENTION ARE RESERVED. PRINT IS NOT NECESSARILY TO SCALE.

**ENM**  
Chicago, Illinois