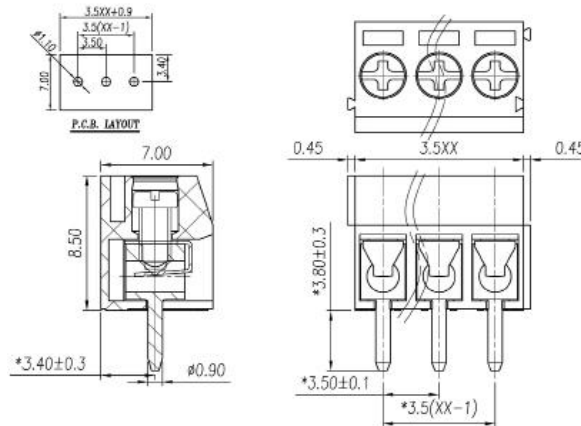
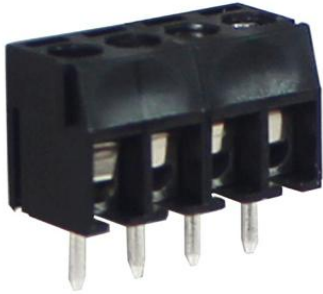



# Datasheet

## 3.5mm Pitch Ultra Low Profile Commercial Screw Terminal Blocks



| TYPE NO. | POLES | LENGTH |
|----------|-------|--------|
| 8971332  | 2     | 7mm    |
| 8971335  | 3     | 10.5mm |
| 8971339  | 4     | 14mm   |
| 8971348  | 5     | 17.5mm |
| 8971341  | 6     | 21mm   |
| 8971345  | 7     | 24.5mm |
| 8971354  | 8     | 28mm   |
| 8971357  | 9     | 31.5mm |
| 8971351  | 10    | 35mm   |
| 8971360  | 11    | 38.5mm |
| 8971363  | 12    | 42mm   |

- Ultra low profile
- 2-12 pole interlocking
- UL94-V0 flame retardant PA66
- Double interlock mechanism for increased strength
- 0.2-0.8mm<sup>2</sup> (24-18AWG) solid and stranded cable
- Anti solder wicking terminals
- Captive screws
- Guided pin alignment
- Standard colour black.  
Other colours available
-  us approved

### SPECIFICATION

|                                  |                                 |
|----------------------------------|---------------------------------|
| <i>Rating</i>                    | 10A/300V                        |
| <i>Dielectric strength</i>       | ≥2kV                            |
| <i>Working temperature</i>       | -40°C to +105°C                 |
| <i>Moulding</i>                  | UL94-V0 flame retardant PA66    |
| <i>Pin/terminal</i>              | Tin plated brass                |
| <i>Wire protector</i>            | Phosphor bronze, nickel plated  |
| <i>Screw/Torque</i>              | M2 steel zinc plated, 0.2Nm max |
| <i>Recommended PCB hole size</i> | Ø1.1mm                          |