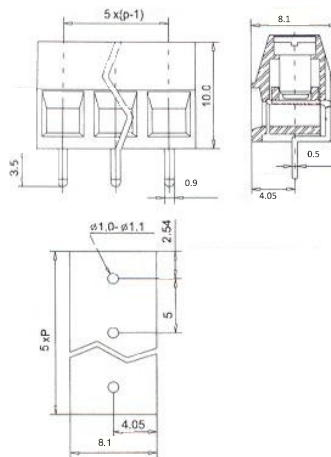


Datasheet

5mm Pitch Low Profile Rising Clamp Terminal



TYPE NO.	POLES	LENGTH
8970843	2	10mm
8970847	3	15mm
8970856	4	20mm
8970859	5	25mm
8970853	6	30mm
8970862	7	35mm
8970865	8	40mm
8970869	9	45mm
8970878	10	50mm
8970871	11	55mm
8970875	12	60mm

- 2-12 pole double Interlocking mechanism for increased strength
- 4-12 pole solid block and end stackable
- Moulded in green UL94-V0 flame retardant PA66
- Professional rising clamp terminals
- 0.33-3.3mm² (22-12AWG) solid cable/ stranded cable
- Captive screw
- cULus approved

SPECIFICATION

Rating	10A/300V
Insulation resistance	5000MΩ/1000V
Withstand Voltage	AC1500V/1min
Contact Resistance	20mΩ (max)
Working Temperature	-33°C to 120+°C
Mouldings	UL94-V0 Flame retardant PA66
Screw/Torque	M2.5 Steel, Nickel Plated 0.4Nm
Recommended PCB hole size	ø1.4mm