

- Robust modular 3-way valve manifolding system**
- Patented design provides flexibility to exceed your application needs**
- Customizable electrical connection to meet your specific requirements**
- Integrated fittings provide faster build times**
- Quicker installation with color-coded fittings caps**
- Simple to connect design for building the manifold length you require**
- Mountable in any orientation**
- Fittings comply with US Department of Transportation, Federal Motor Vehicle Safety Standard (DOT FMVSS 106)**
- Integrated Push-To-Connect (PTC)**



Product shown with customer supplied connector.

#### Technical data

##### Medium:

Compressed air, filtered, lubricated, non-lubricated

##### Operation:

3/2 normally closed direct acting

##### Solenoid:

9–16 VDC or 20.4–26.4 VDC

7 Watts

##### Port Size:

3/8" Inlet – tube/push in fitting (PIF)

1/4" Outlet/Delivery – tube/push in fitting (PIF)

##### Operation pressure:

Maximum 150 psig (10.35 bar)

##### Flow characteristics:

3/8" Inlet Cv = 0.67

1/4" Delivery Cv = 0.14

Minimum orifice size: 0.078"

##### Temperature range:

–40° to 220°F (–40° to 100°C)

##### Materials

Body and endcaps: 30% glass filled PBT

Exhaust cover cap: 30% glass filled Nylon 6/6

Coil overmold: 15% glass filled PET

Seals: Silicone, Nitrile, Viton, and HNBR

Springs, armature, and pole piece: Stainless Steel

Bobbin: 30% glass filled PPS

Valve and fittings: Brass

Mounting sleeve: Steel

Tubing: Tubing should be to SAE J844

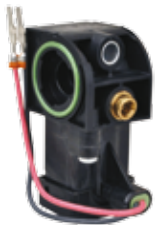
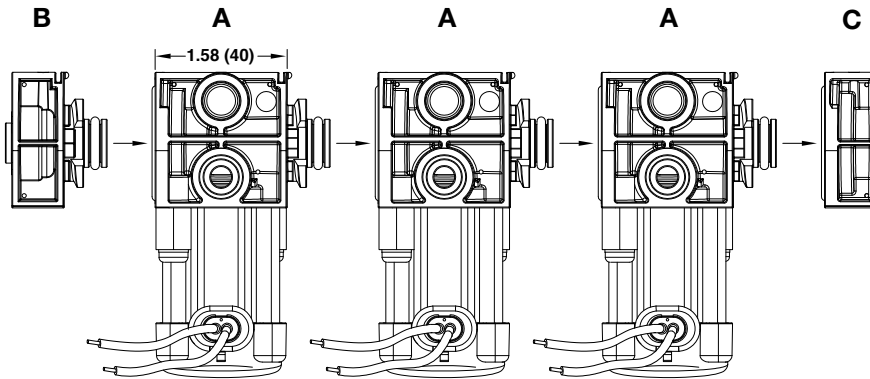
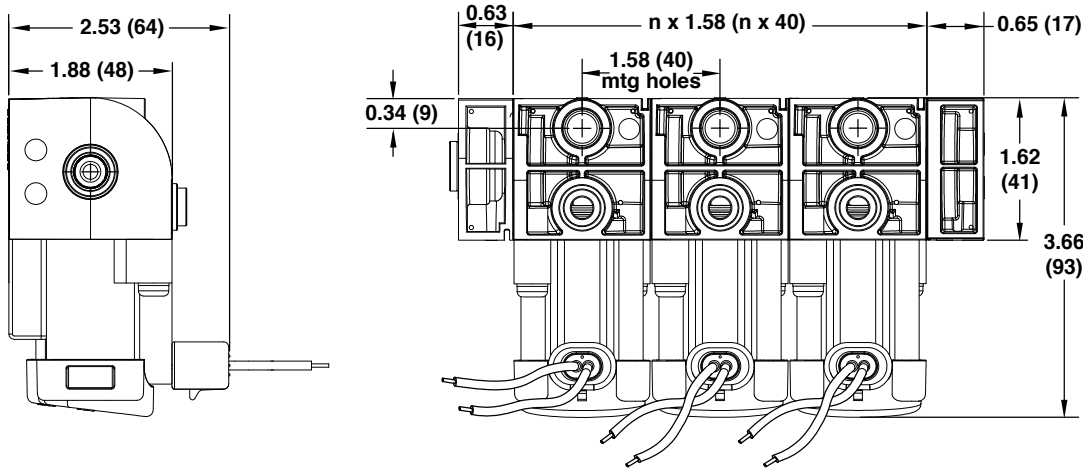
##### Standards and Legislation

Fittings comply with U.S. Department of Transportation, Federal Motor Vehicle Safety Standard (DOT FMVSS 106) (Mandatory requirements for inch tube fittings in U.S.A.), Society of Automotive Engineers SAE J1409, SAE J1410, SAE J1455 and SAE J2494-2.

● In stock

◆ Ships within one week

**Dimensions (Inches)**



**Standard Models**

| Model   | Function | Electrical Connection | Port Size  | Voltage | Position |
|---------|----------|-----------------------|------------|---------|----------|
| 7201-70 | ◆ 3/2 NC | 19" Flying leads      | (1/4" PIF) | 12 VDC  | A        |
| 7201-72 | ● 3/2 NC | 19" Flying leads      | (1/4" PIF) | 24 VDC  | A        |

**End Plates**

| Model   | Description                            | Position |
|---------|--|----------|
| 7202-70 | ◆ Inlet Left Hand End Plate (3/8" PIF) | B        |
| 7203-70 | ◆ Cap Right Hand End Plate             | C        |

Configurable up to 8 stations,(B+A+A+A+A+A+A+A+C).  
Please consult factory for configurations using more than 8 stations.

**1/4" Colored caps**

| Red        | Yellow     | Orange     | Green      | Black      | Tan        | Violet     | Blue       | White      | Silver     |
|------------|------------|------------|------------|------------|------------|------------|------------|------------|------------|
|            |            |            |            |            |            |            |            |            |            |
| 48C34901 ● | 48C34902 ◆ | 48C34903 ● | 48C34904 ◆ | 48C34905 ◆ | 48C34906 ● | 48C34907 ● | 48C34908 ● | 48C34909 ◆ | 48C34910 ◆ |

- In stock
- ◆ Ships within one week