

Datasheet

RS Pro Wedge Filament Indicator Lamp, Clear, 28 V, 40 mA, 10000h

RS Stock No: **655-9744**



Product Details

RS Pro wedge filament indicator lamp comes with clear lens. It has a voltage rating of 28 V and current rating of 40 mA. The lamp has 10000 h life. This lamp is used in automotive and OEM industries.

Features and Benefits

- Voltage rating of 28 V
- Current rating of 40 mA
- 10000 hours lifetime



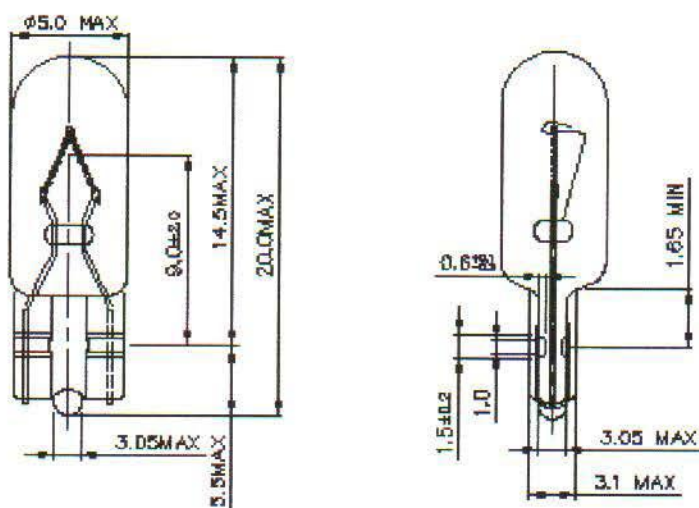
Specifications:

Current Rating	40 mA
Diameter	5 mm
Lamp Base	Wedge
Lamp Size	T1 1/2
Length	20 mm
Lens Colour	Clear
Life Hours	10000 h
Luminosity	3.53 lm
Voltage Rating	28 V

RS Stock No.

6559744

DRAWING - I



Unit : mm

1. Structure	Bulb Type	T1 1/2 Clear
	Bulb Diameter	$\phi 5.0$ Max.
	Length	20.0Max
	Base Type	Wedge Base
2. Design Characteristics	Voltage	28V
	Amperage	40mA \pm 10%
	Filament Type	Vacuum type
	Luminous Flux	3.53Lm \pm 20%
	Life Hours	10,000Hrs