



1

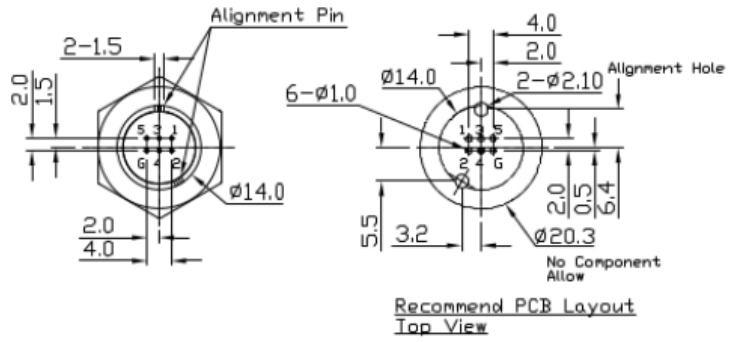
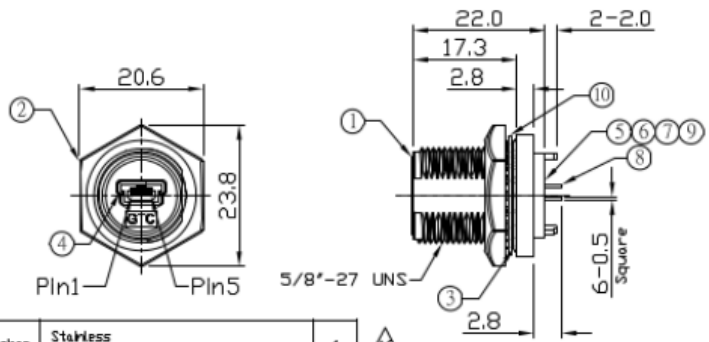
2

3

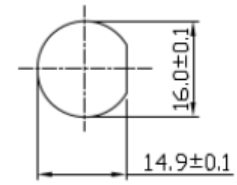
4

Notes: (Unless Otherwise Specified)
 1. Waterproof Rate: IP68.
 2. Recommend Panel Thickness: 0.8 to 8.0 mm.
 3. Recommend Torque: 19~20 kgf-cm.
 4. Mating Cap P/N: 125-7928
 5. RoHS Compliant.

REV	ECN#	DESCRIPTION OF REVISION	DRAW BY DATE	CHECK BY DATE	APPROVE BY DATE
A6	ECN-120313	Add Metal Washer , Marked	Joyce 04/09/12	Lucas 04/09/12	Ray 04/09/12
A7	ECN-130208	Marked	Joyce 02/19/13	Lucas 02/19/13	Ray 02/19/13



10	Metal Washer	Stainless Finish: —	1	
9	Gue	Epoxy Color: Black		
8	Pin Header	Housing: Thermoplastic, Color: Black Contacts: Copper Alloy, Finish: Au Plated	1	
7	EMI Shielded Plate	Copper Alloy Finish: Ni Plated	1	
6	Holder	Thermoplastic Color: Black	1	
5	PCB	FR-4 Color: Green	1	
4	USB-A Receptacle	Housing: Thermoplastic, Color: Black Contacts: Copper Alloy, Finish: Au Plated Shell: Copper Alloy, Finish: Ni Plated	1	
3	O-Ring	Silicone Color: Red	1	
2	Hex Nut	Zn Alloy Finish: Ni Plated	1	
1	Housing	Zn Alloy Finish: Ni Plated	1	
Item	Part Name	Material / Finish	Qty	



Front View
 Recommend Panel Cut-Out

Mating Part:
 122-3028

TITLE						REV.			
Mini USB-B Metal C2 Panel Jack Screw Dip						A7			
	B	1:1	Edwin 09/23/08	Ray 09/23/08	Ray 09/23/08	XX ± 0.5 X.XX ± 0.2	X,XXX ± 0.05 ANGLES ± 1°	mm	1/1
THIRD ANGLE PROJECTION	SIZE	SCALE	DRAW / DATE	CHECK / DATE	APPROVE / DATE	TOLERANCES		UNIT	SHEET

RS Stock No
 122-3026

1

2

3

4