



1

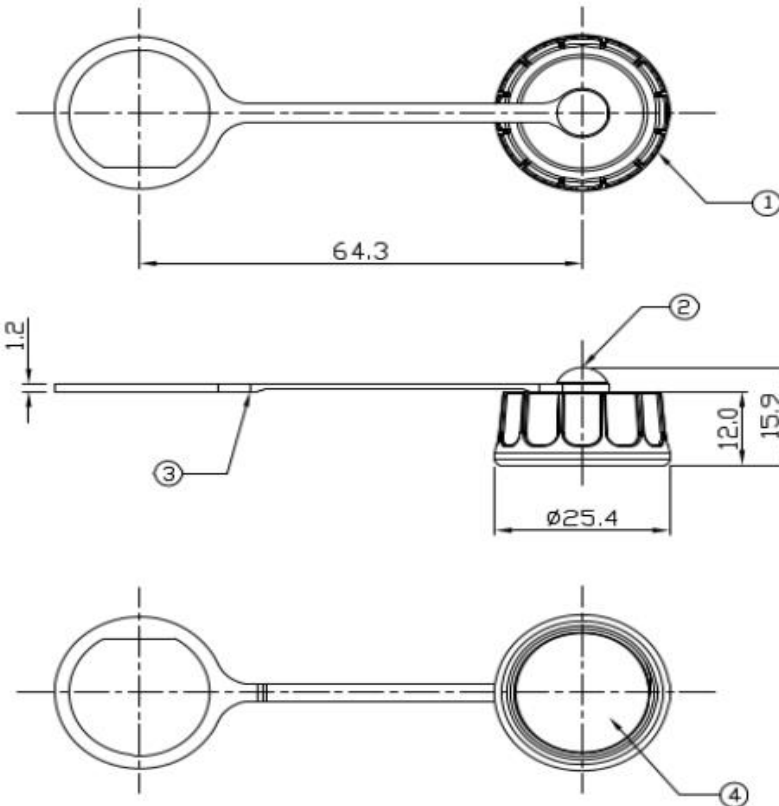
2

3

4

Notes: (Unless Otherwise Specified)
 1. Waterproof Rate : IP67.
 2. RoHS Compliant.

REV	ECN#	DESCRIPTION OF REVISION	DRAW BY DATE	CHECK BY DATE	APPROVE BY DATE
A1			Lucas 11/30/11	Ray 11/10/11	Ray 11/10/11



4	Rubber Pad	Silicone Color: Black	1
3	Plastic Chain	Thermal Plastic Color: Black	1
2	Plastic Rivet	Thermal Plastic Color: Black	1
1	Screw Cap	Thermal Plastic Color: Black	1
Item	Part Name	Material / Finish	Qty

TITLE						X.X ± 0.5		X.XXX ± 0.05		mm	
THIRD ANGLE PROJECTION						X.XX ± 0.2		ANGLES ± 1°		1/1	
B	1:1	Lucas 10/31/11	Ray 10/31/11	Ray 10/31/11	Cap Plastic For C3 Screw Panel With Plastic Chain						
SIZE	SCALE	DRAW / DATE	CHECK / DATE	APPROVE / DATE	TOLERANCES		UNIT		SHEET		

RS Stock No
125-7929

1

2

3

4