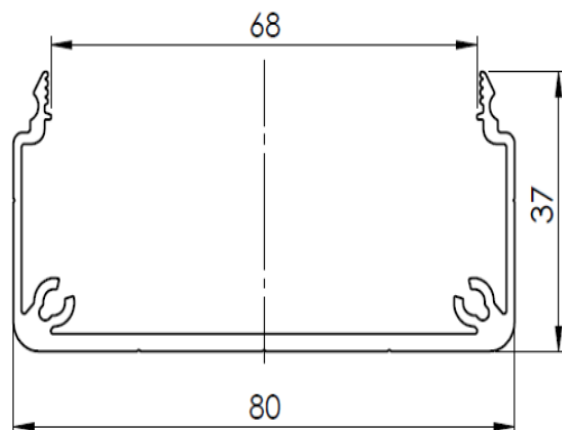
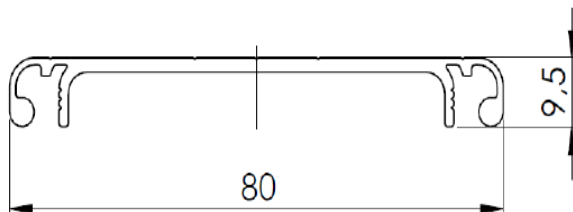
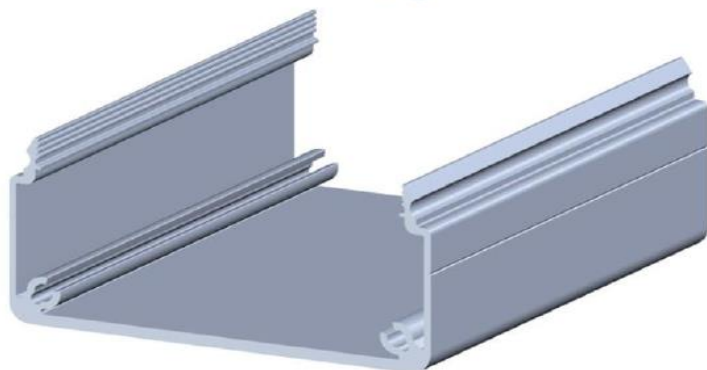
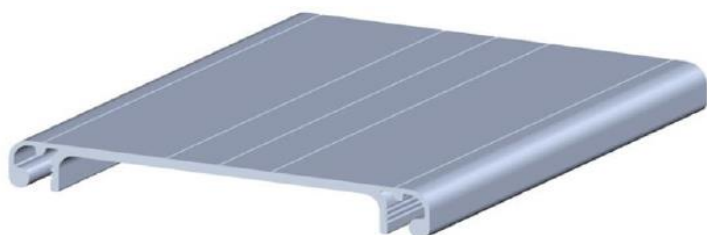


Datasheet

Cable Channel 40x80

RS Stock number 850-8502



G	1,46 kg/m
VPE / PU	1 pcs.
L	2000 mm

Technical data strut profiles

EN AW – AlMgSi0,5	DIN EN 573
Tolerances	DIN EN 12020-2
Anodizing process	E6C0