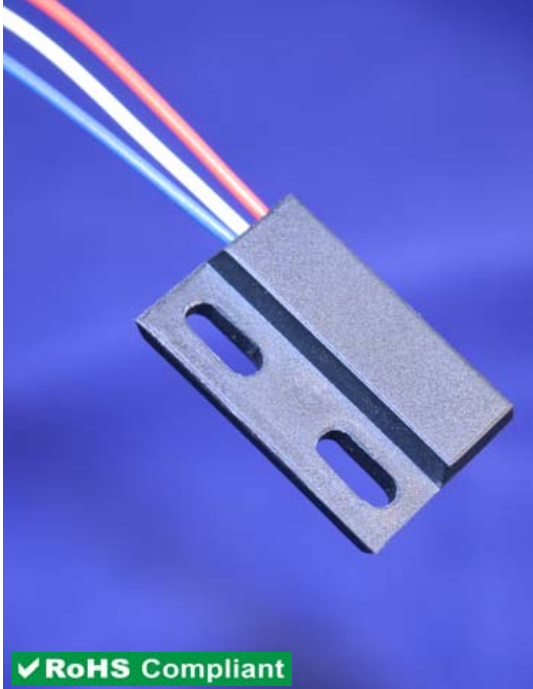
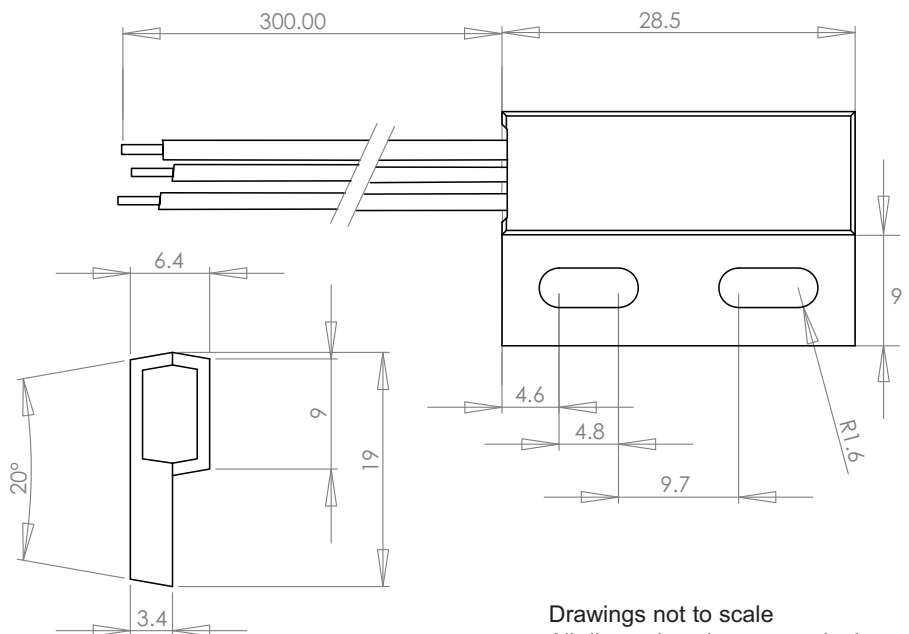


Datasheet

Proximity Switch - Reed based changeover contacts

Part Number : 811-0748

Product Data Sheet

PICTURE	DIMENSIONS
 <p style="background-color: green; color: white; padding: 2px; display: inline-block;">✓ RoHS Compliant</p>	 <p>Drawings not to scale All dimensions in mm nominal</p>

SPECIFICATION

Contact Form / Style		Change over
Switching Voltage	Volts DC/AC	175 / 125
Switching Current	Amps DC/AC	0.4 / 0.28
Switching Capacity (Resistive)	W/VA	5
Switching Distance (Typical)	mm	8.0 mm Minimum
Contact Resistance	mOhm	120
Break down Voltage	Volts	200
Carry Current	Amps	0.5
Operating Temperature	Celsius	-40°C +105°C
Cable length	mm	300
Cable size		3 x 20 awg, blue, red and white

Applications Include

- Position and limit sensing.
- Linear actuators.
- Security system switch.
- Door Switch.

Options

- Colour: Standard = Black housing.
Also available Blue housing/ custom lead colours
- Cable Entry: Standard = Right hand entry.
Also available Left hand entry.
- Custom cable lengths, strip lengths, cable types, terminations.
- If you do not see what you need, just ask, as there is a strong possibility we can do it !

Rev. No.	Revision Note	Date	Signature
1	Datasheet	24-04-14	ML