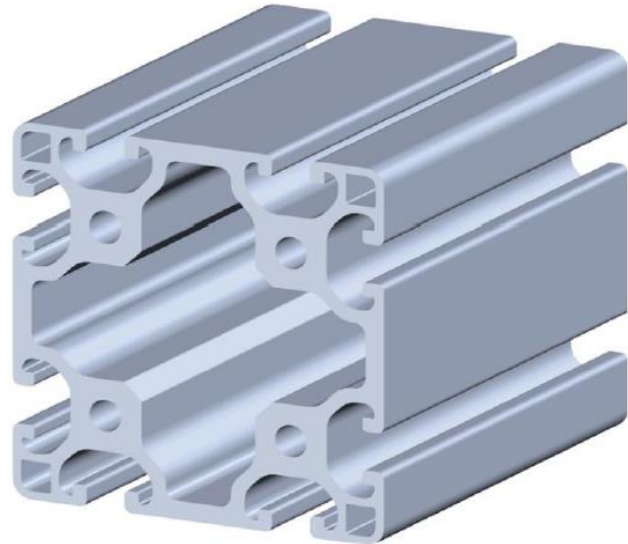


Professionally approved products.

Datasheet

Grid 8

RS Stock number 850-8505



I_x	134,90 cm ⁴
I_y	134,90 cm ⁴
W_x	33,72 cm ³
W_y	33,72 cm ³
G	5,33 kg/m
A	19,75 cm ²
VPE / PU	1 pcs.
L	2000 mm

Technical data strut profiles

EN AW – AlMgSi0,5	DIN EN 573
Tolerances	DIN EN 12020-2
Anodizing process	E6C0

